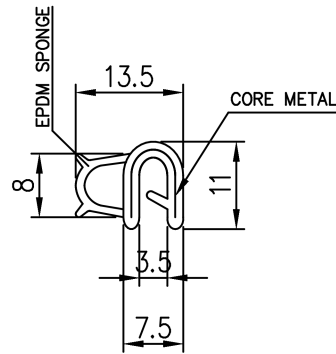


A		B		C			
적용 도면 (Applied DRAW. No.)		MARK	DATE	DETAIL OF REVISION		CHECK	APP.
	도면 번호 (DRAW. No.)						
	비 고 (Remarks)	△					
1		△					
2							



GENERAL TOLERANCE

DIVISION	GRADE	A LEVEL	B LEVEL	C LEVEL
		1-4	±0.05	±0.10
4-6	±0.07	±0.20	±0.35	
16-63	±0.10	±0.30	±0.50	
63-250	±0.18	±0.55	±0.90	
250-500	±0.30	±0.90	±1.50	
500-1000	±0.50	±1.50	±2.50	

부 품 번 Part No.		번호 No.	명 칭 Part Name		갯수 Qt'y	재 질	비 고 Remarks
DRAWN	CHECKED	CHECKED	APPROVED	SCALE : 1 / 1	MODEL :		
				UNIT : MM	TITLE :		
				SIZE : A4	THIRD ANGLE PROJECTION	MODEL No.	
DATE :					DWG No.		

A

B

C