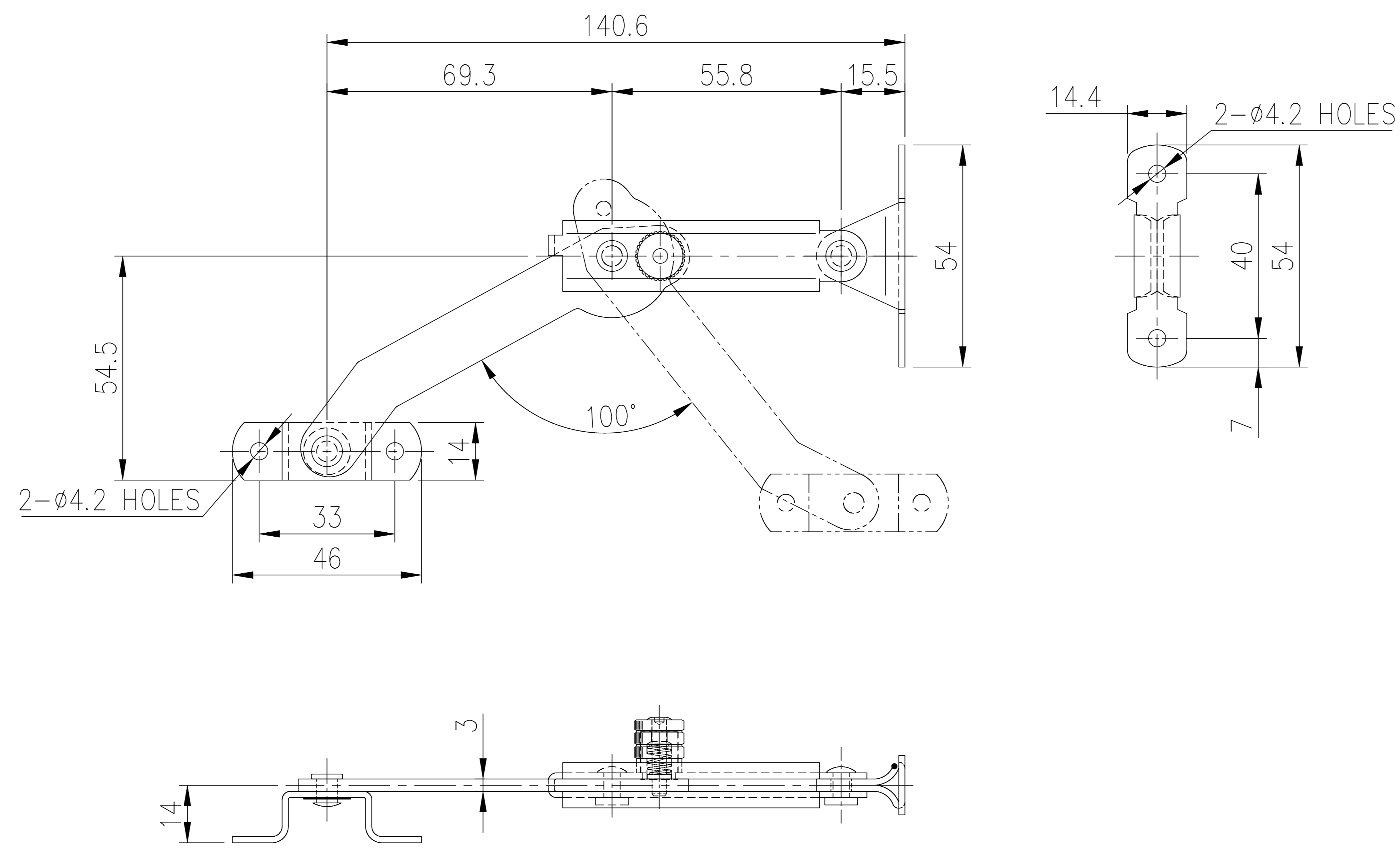


| 적용 도면 (Applied DRAW. No.) | |
|---------------------------|--------------|
| 도면 번호 (DRAW. No.) | 비고 (Remarks) |
| 1 | |
| 2 | |

| MARK | DATE | DETAIL OF REVISION | CHECK | APP. |
|------|------|--------------------|-------|------|
| △ | | | | |
| △ | | | | |



GENERAL TOLERANCE

| DIVISION | GRADE | A LEVEL | B LEVEL | C LEVEL |
|----------|-------|---------|---------|---------|
| 1-4 | | ±0.05 | ±0.10 | ±0.25 |
| 4-6 | | ±0.07 | ±0.20 | ±0.35 |
| 16-63 | | ±0.10 | ±0.30 | ±0.50 |
| 63-250 | | ±0.18 | ±0.55 | ±0.90 |
| 250-500 | | ±0.30 | ±0.90 | ±1.50 |
| 500-1000 | | ±0.50 | ±1.50 | ±2.50 |

| | | | | | |
|------------------|----------|----------------|------------------------------|---------------|--------------|
| 부품 번호 (Part No.) | 번호 (No.) | 명칭 (Part Name) | 갯수 (Qt'y) | 재질 (Material) | 비고 (Remarks) |
| DRAWN | CHECKED | CHECKED | APPROVED | SCALE : 1/1 | MODEL : |
| | | | UNIT: MM | TITLE: | |
| | | | SIZE: THIRD ANGLE PROJECTION | MODEL No.: | |
| DATE : | | | DWG No.: | | |