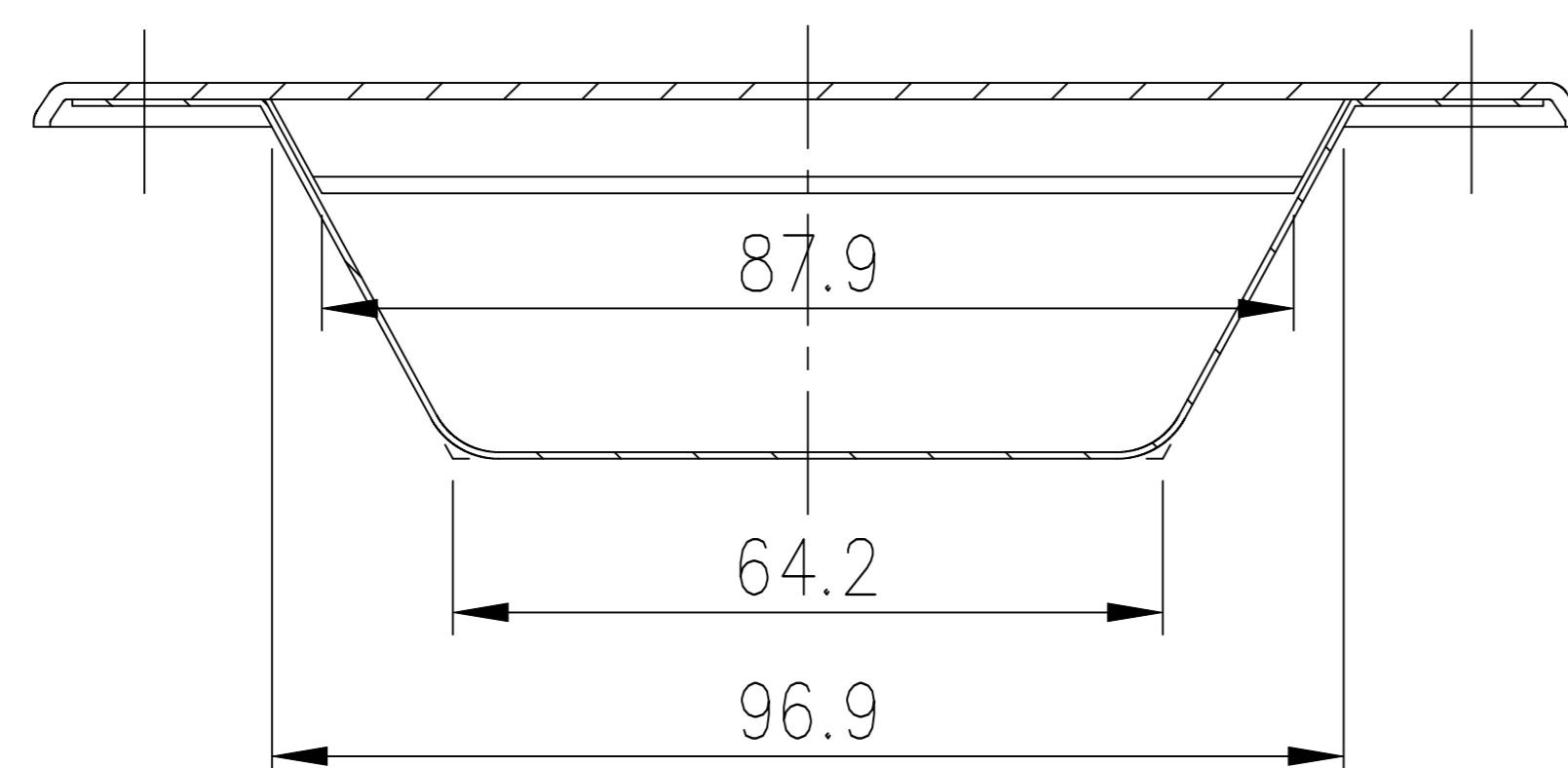
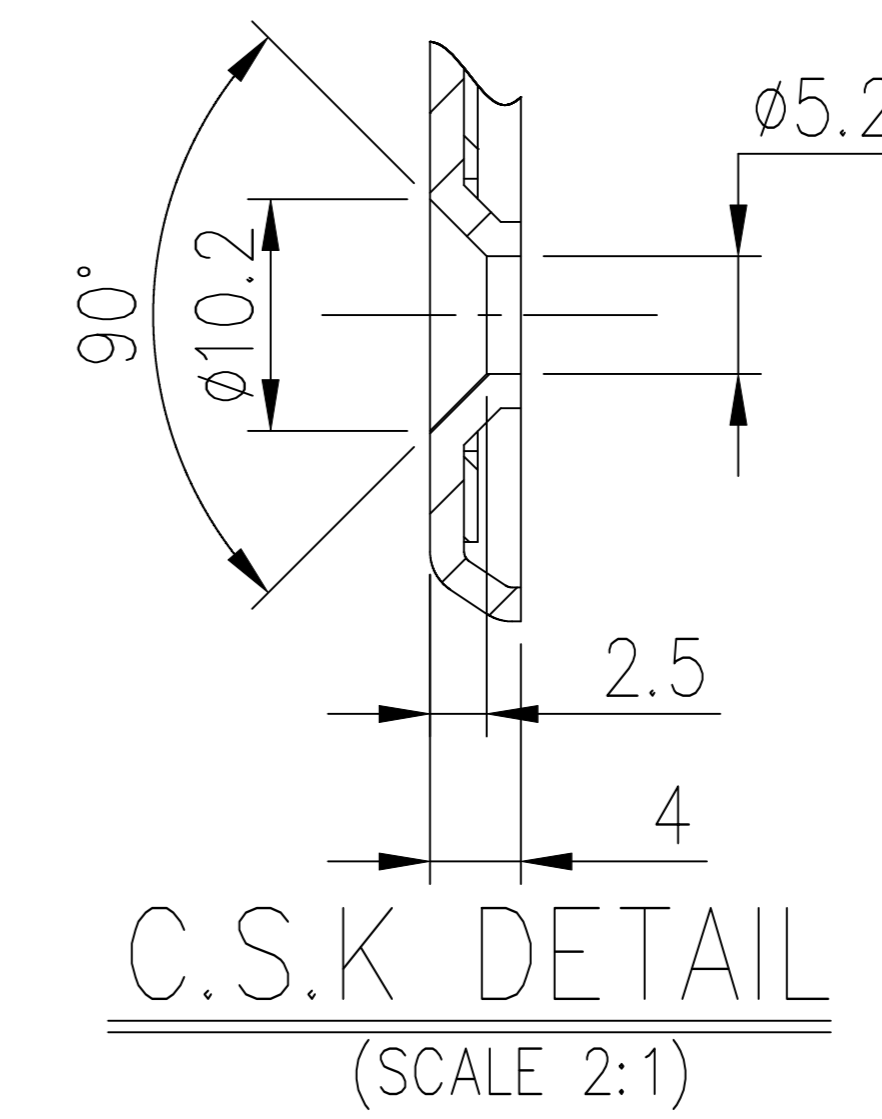
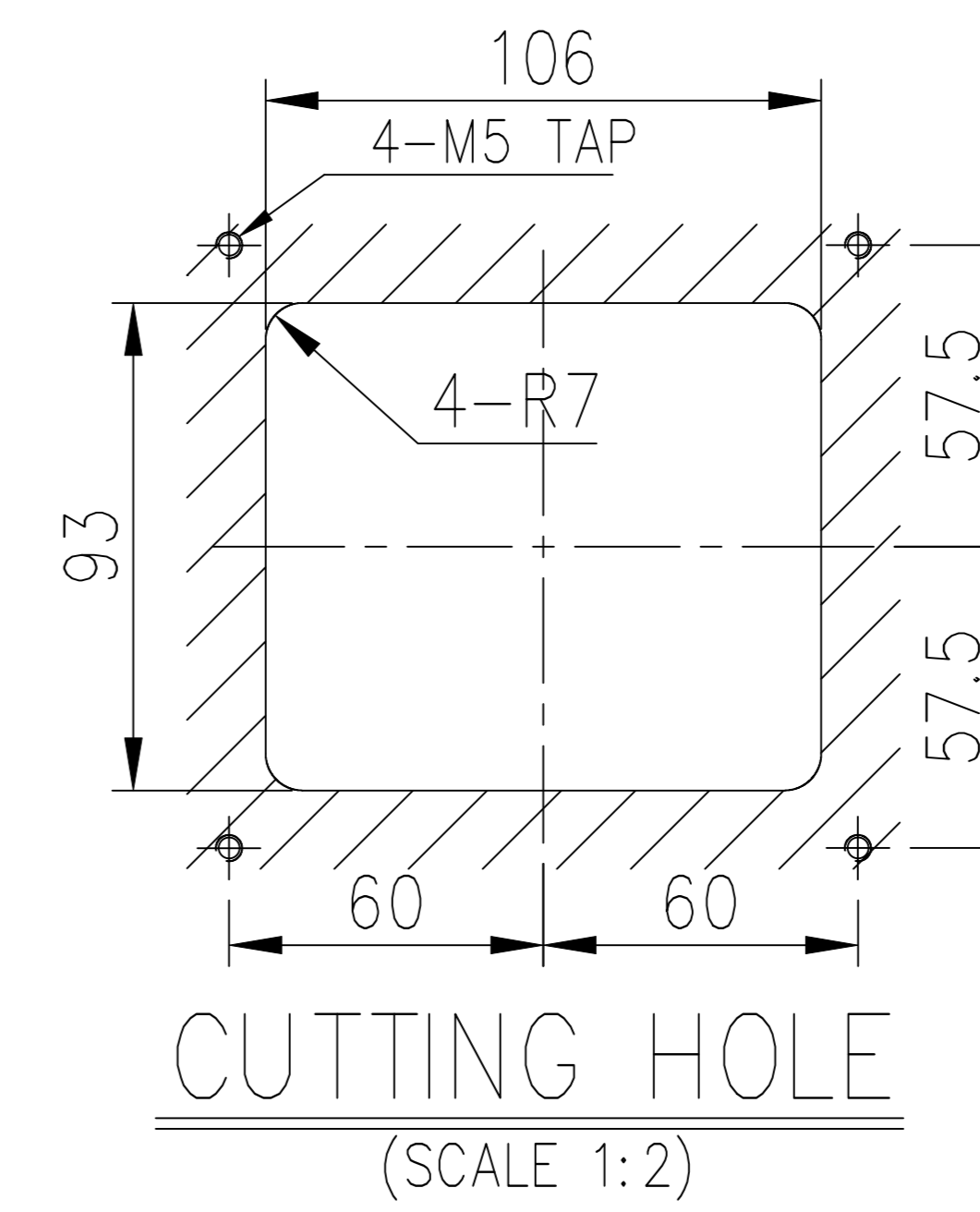
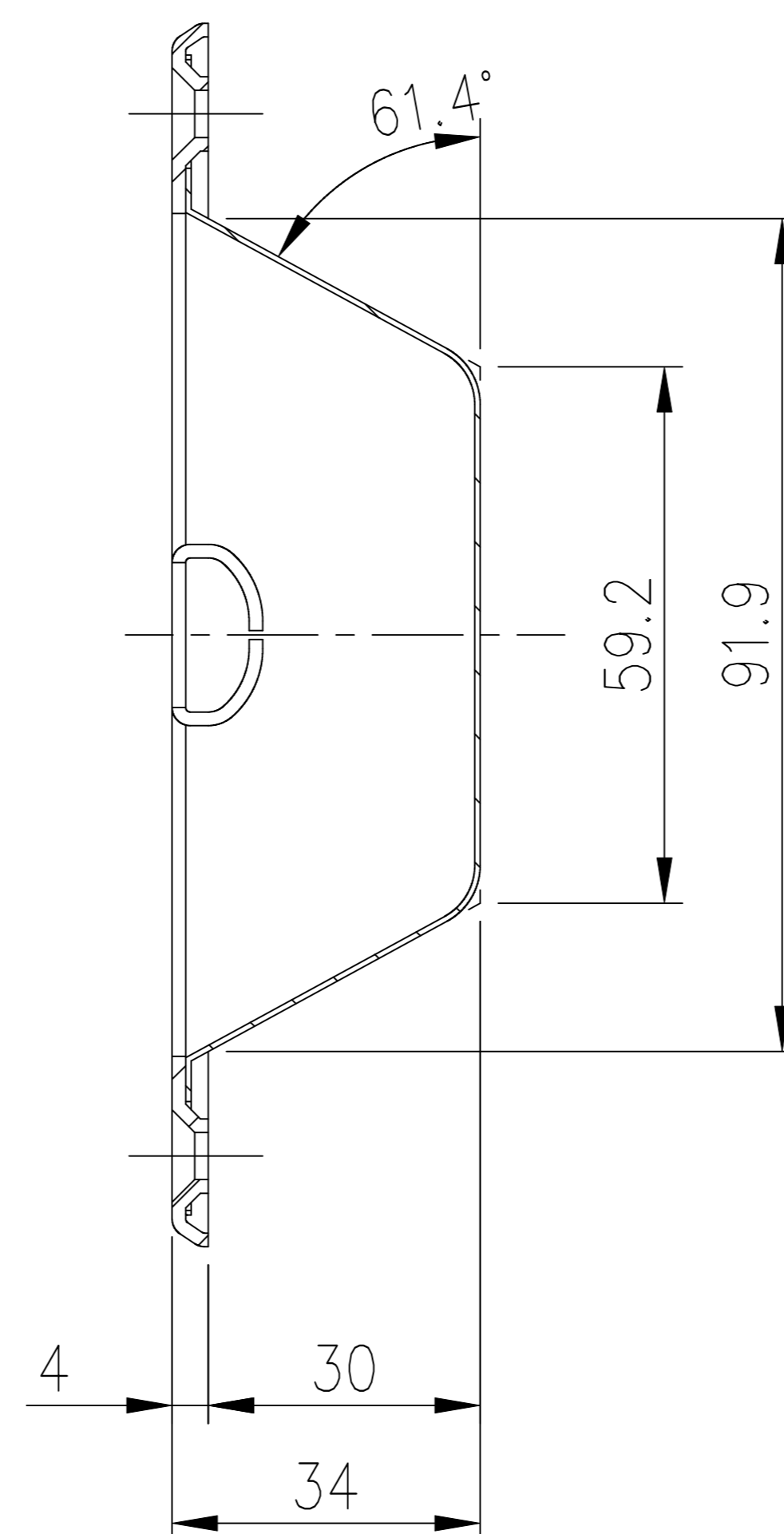
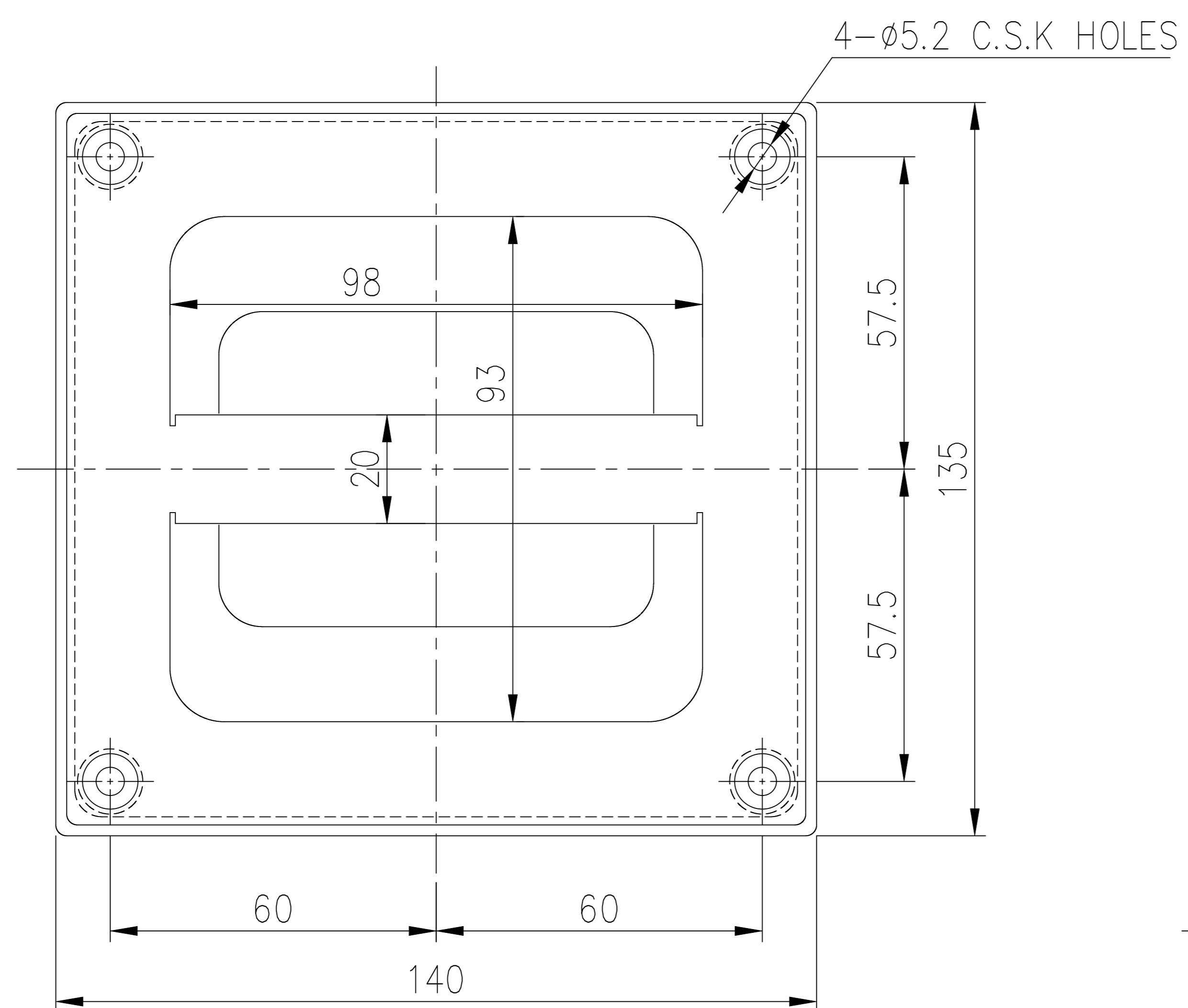


적용 도면 (Applied DRAW. No.)	
도면 번호 (DRAW. No.)	비고 (Remarks)
1	
2	

G		H	
MARK	DATE	DETAIL OF REVISION	CHECK APP.
△			
△			



GENERAL TOLERANCE			
DIVISION	GRADE	A LEVEL	B LEVEL / C LEVEL
1-4		±0.05	±0.10 / ±0.25
4-6		±0.07	±0.20 / ±0.35
16-63		±0.10	±0.30 / ±0.50
63-250		±0.18	±0.55 / ±0.90
250-500		±0.30	±0.90 / ±1.50
500-1000		±0.50	±1.50 / ±2.50

부품 번호 (Part No.)	번호 (No.)	명칭 (Part Name)	갯수 (Qt'y)	재질 (Material)	비고 (Remarks)
DRAWN	CHECKED	CHECKED	APPROVED	SCALE: 1/1	MODEL:
			UNIT: MM	TITLE:	
DATE:			SIZE: A1	MODEL No.:	
			DWG No.:		