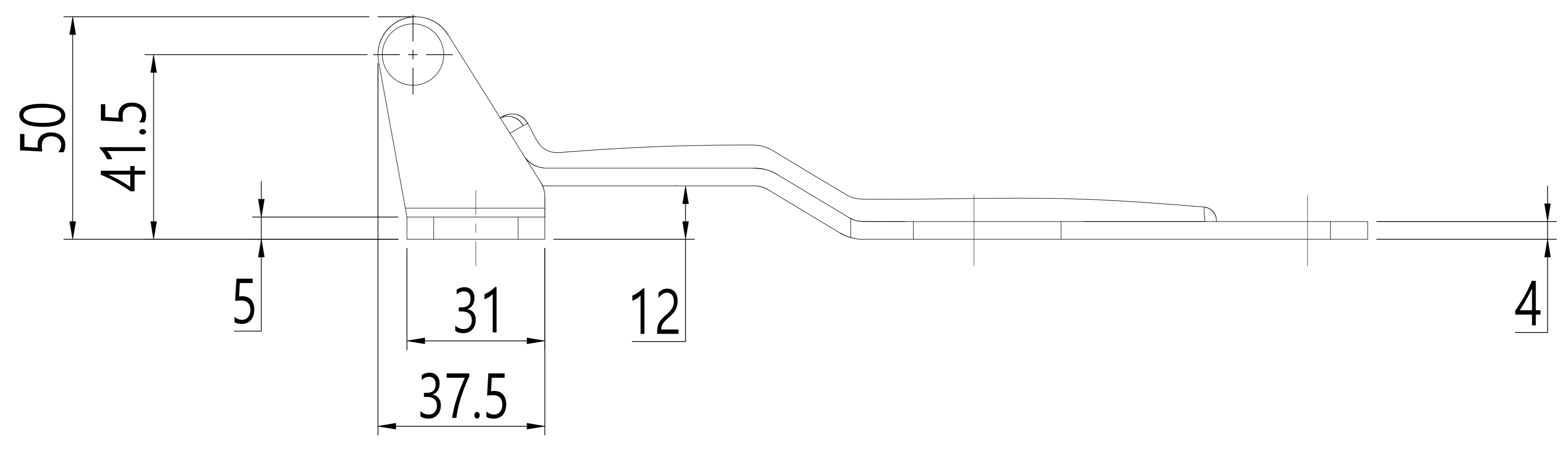
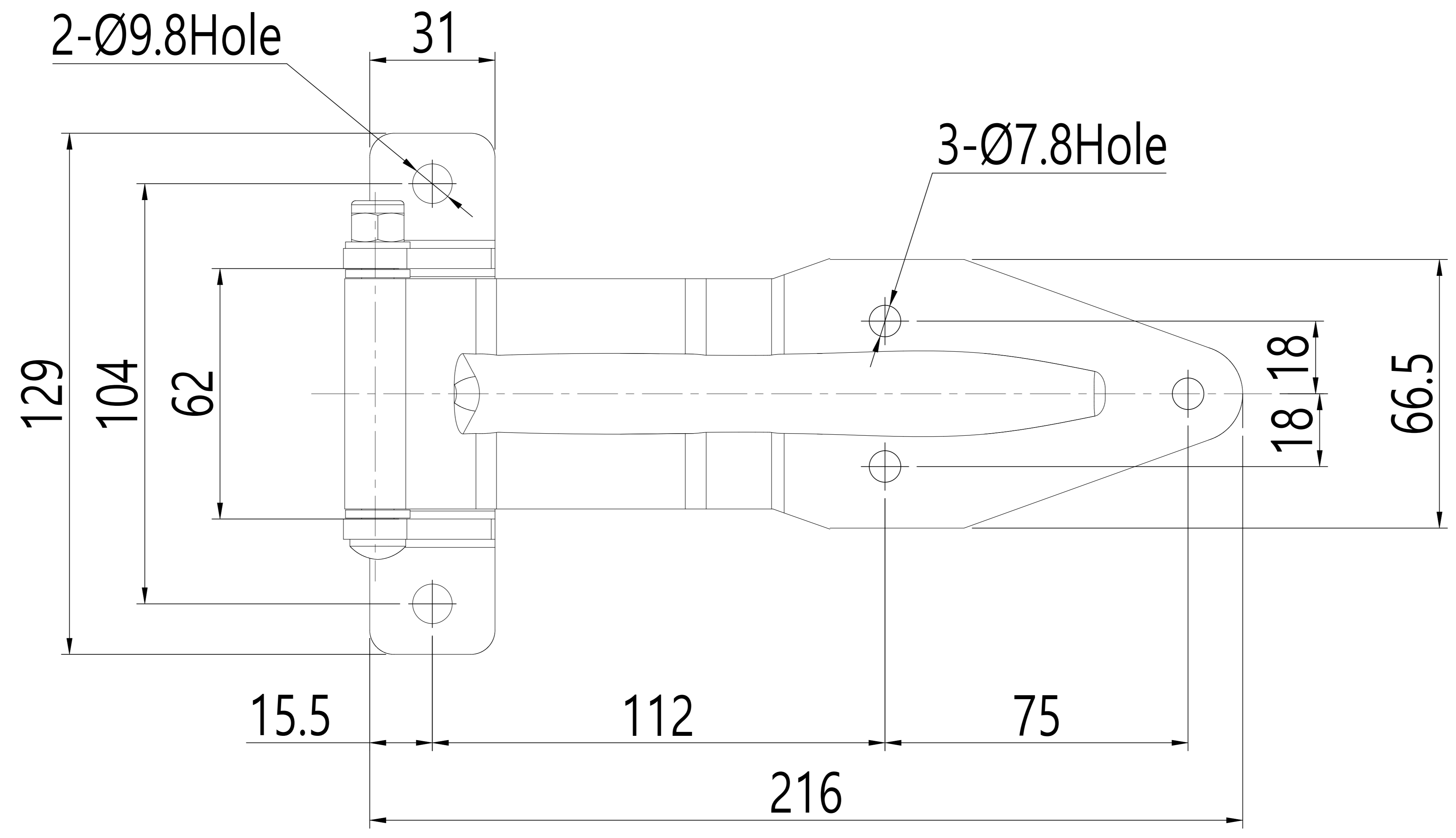


| 적용 도면 (Applied DRAW. No.) | |
|---------------------------|--------------|
| 도면 번호 (DRAW. No.) | 비고 (Remarks) |
| 1 | |
| 2 | |

| G | | H | |
|------|------|--------------------|------------|
| MARK | DATE | DETAIL OF REVISION | CHECK APP. |
| △ | | | |
| △ | | | |



GENERAL TOLERANCE

| DIVISION | GRADE | A LEVEL | B LEVEL | C LEVEL |
|----------|-------|---------|---------|---------|
| 1-4 | | ±0.05 | ±0.10 | ±0.25 |
| 4-6 | | ±0.07 | ±0.20 | ±0.35 |
| 16-63 | | ±0.10 | ±0.30 | ±0.50 |
| 63-250 | | ±0.18 | ±0.55 | ±0.90 |
| 250-500 | | ±0.30 | ±0.90 | ±1.50 |
| 500-1000 | | ±0.50 | ±1.50 | ±2.50 |

| 부품번 | 번호 | 명칭 | 갯수 | 재질 | 비고 |
|----------|---------|-----------|----------|------------|---------|
| Part No. | No. | Part Name | Qt'y | Material | Remarks |
| DRAWN | CHECKED | CHECKED | APPROVED | SCALE: 1/1 | MODEL: |
| | | | | UNIT: | TITLE: |
| | | | SIZE: A1 | MODEL No. | |
| | | | DATE: | | DWG No. |