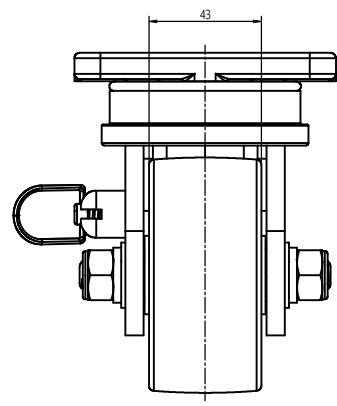
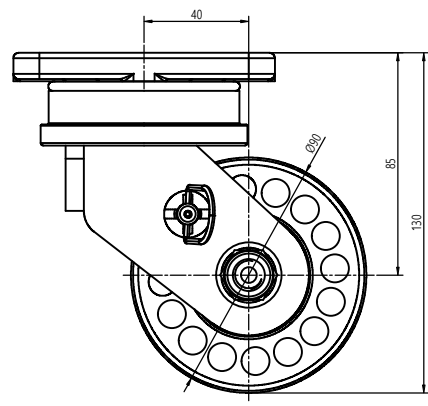
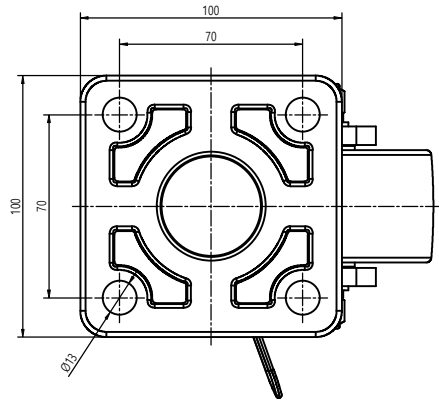


?? ?? (Applied DRAW. No.)	
?? ?? (DRAW. No.)	?? ?? (Remarks)
1	
2	

MARK	DATE	DETAIL OF REVISION	CHECK APP.
▲			
▲			



GENERAL TOLERANCE				?? ?	??	?	?	??	?	?	?	?
MIN. LEVEL	B LEVEL	C LEVEL	D LEVEL	Part No.	No.	Part Name	Q'ty	MODEL	SCALE	TITLE	MODEL No.	Remarks
1-4	10.07	10.11	10.17									
4-4	10.07	10.20	10.26									
16-43	10.10	10.30	10.50									
63-250	10.18	10.58	11.30									
250-500	10.31	10.90	11.80									
500-1000	10.50	11.50	12.50									

UNITS: TITLE: MODEL No. DATE: DWG No.

SAMO