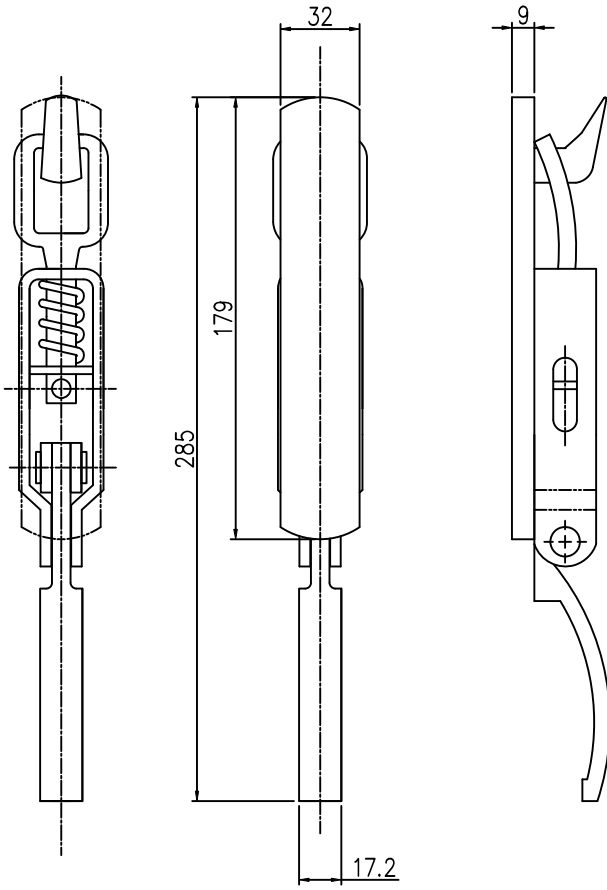


작성 일자 (Applied Date)	작성 (Drawn)
작성 번호 (Date)	검 (Checked)

MARK	DATE	DETAIL OF REVISION	CHECK	APP.
△				
△				



GENERAL TOLERANCE

수량	A LEVEL	B LEVEL	C LEVEL
1~4	±0.07	±0.10	±0.20
4~6	±0.07	±0.20	±0.25
16~63	±0.10	±0.30	±0.50
63~250	±0.15	±0.55	±0.80
250~500	±0.30	±0.80	±1.30
500~1000	±0.50	±1.50	±2.50

부품번호	번호	명칭	수량	재질	비고
Part No.	No.	Part Name	Q'ty	Material	Remarks
DRAWN	CHECKED	CHECKED	APPROVED	SCALE	SCALE
				1/1	
DATE			TITLE		
DATE			MM		
DATE			BOOK No.		
DATE			DATE		
DATE			DATE		

