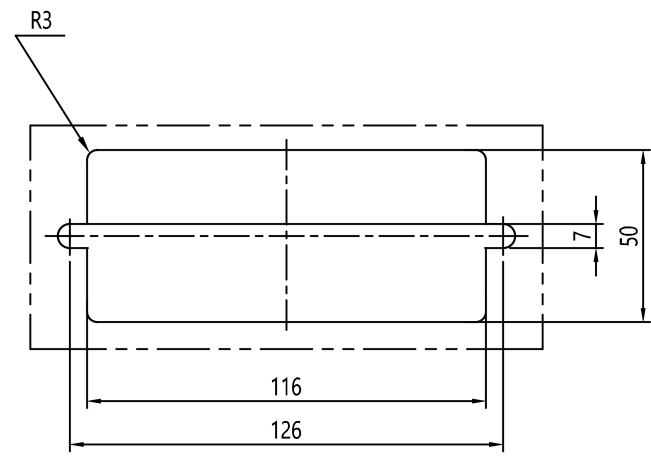
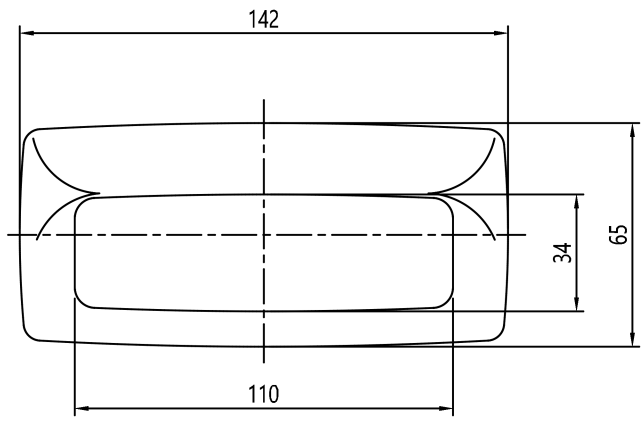
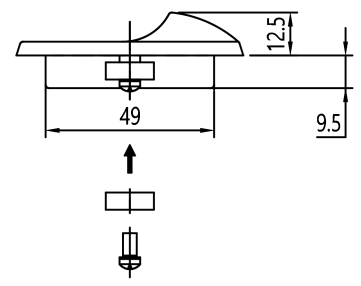
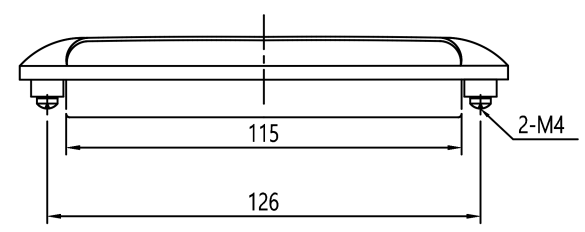


작성 도면 (Applied DSM. No.)	
도면 번호 (DSM. No.)	비고 (Remarks)
1	
2	

MARK	DATE	DETAIL OF REVISION	CHECK	APP.
▲				



PANEL DRILLING DIMENSIONS.



KA-75-1

GENERAL TOLERANCE			
GRADE	A LEVEL	B LEVEL	C LEVEL
1-4	±0.07	±0.10	±0.20
4-8	±0.07	±0.20	±0.30
10-30	±0.10	±0.30	±0.50
60-250	±0.15	±0.55	±0.80
250-500	±0.20	±0.90	±1.50
500-1000	±0.50	±1.50	±2.50

부품번 Part No.	번호 No.	명칭 Part Name	갯수 Qt'y	재질 Material	비고 Remarks

SCALE: 1:1

UNIT: TITLE:

SIZE: AT MODEL No.:

DATE: DRG No.: