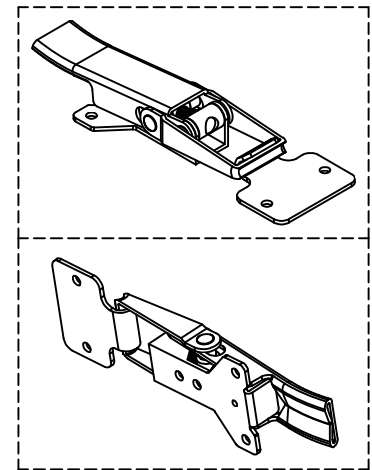
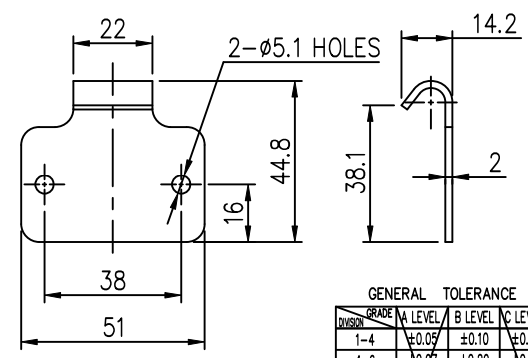
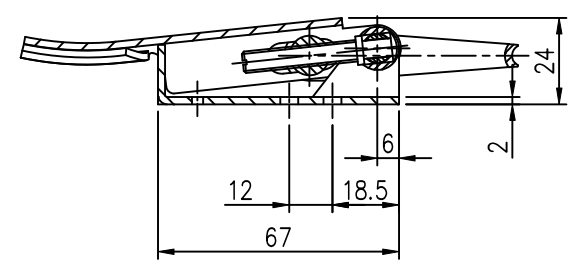
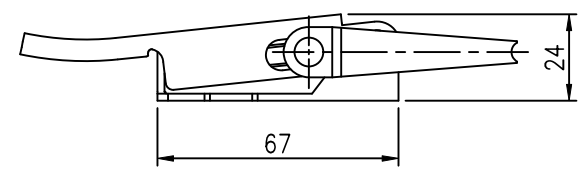
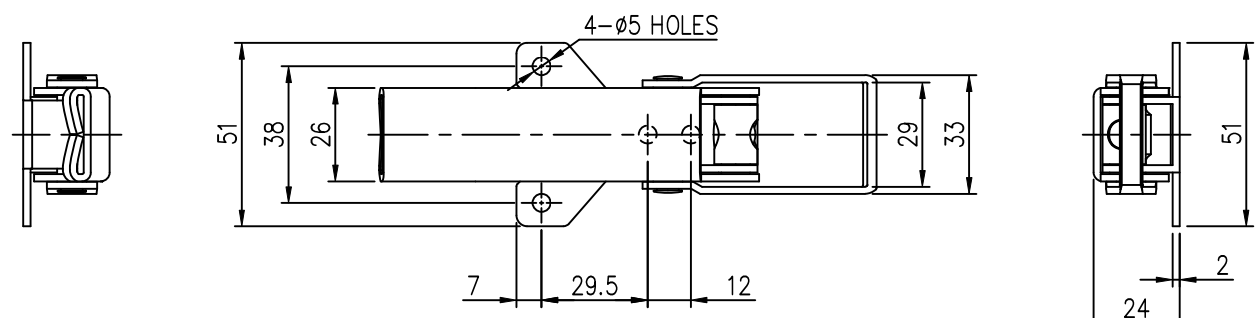


적용 도면 (Applied DRAW. No.)	
도면 번호 (DRAW. No.)	비고 (Remarks)
1	
2	

E		F	
MARK	DATE	CHECK	APP.
△			
△			

SM-27S-1



ISOMETRIC VIEW

GENERAL TOLERANCE			
REVISION	GRADE	A LEVEL	B LEVEL
1-4		±0.05	±0.10
4-6		±0.07	±0.20
16-63		±0.10	±0.30
63-250		±0.18	±0.55
250-500		±0.30	±0.90
500-1000		±0.50	±1.50

부품번 Part No.	번호 No.	명칭 Part Name	갯수 Qt'y	재질 Material	비고 Remarks
DRAWN	CHECKED	CHECKED	APPROVED	SCALE: 1/1	MODEL:
UNIT: MM			TITLE:		
SIZE: A2			MODEL No.:		
DATE:			DWG No.:		

