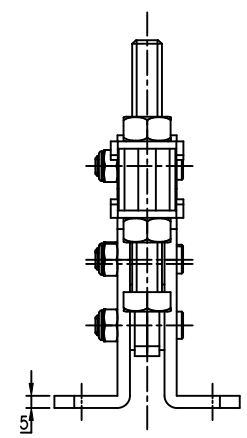
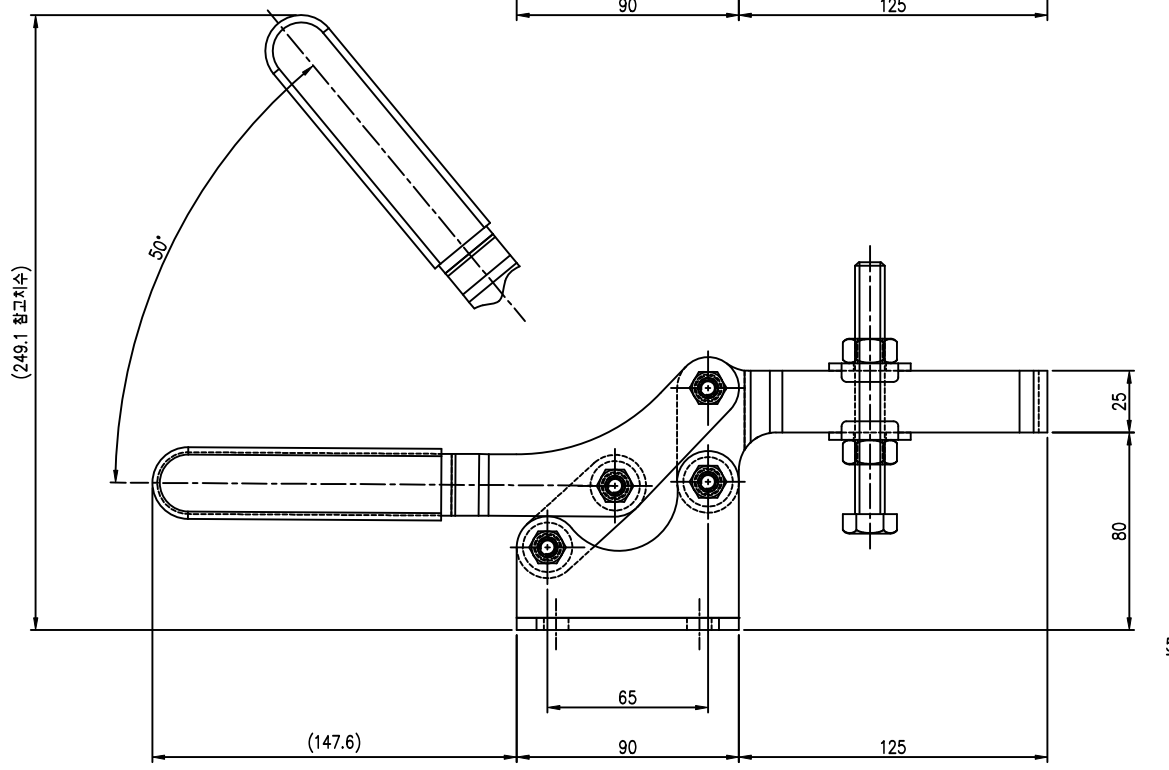
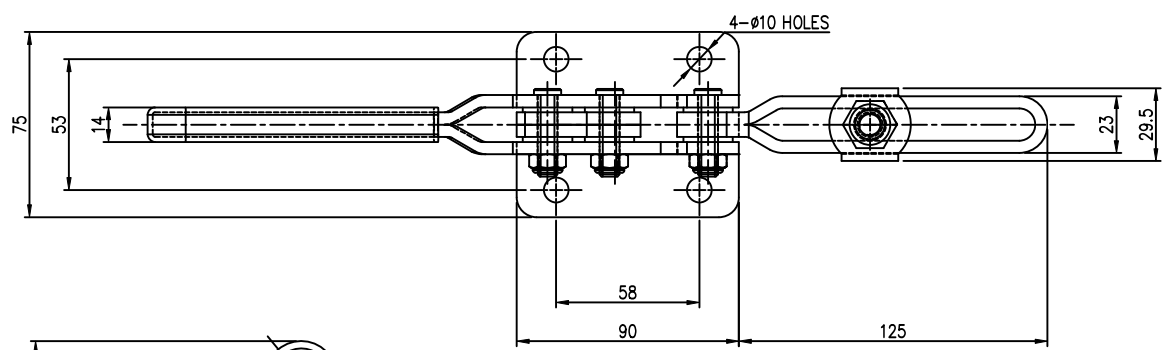


MARK	DATE	DETAIL OF REVISION	CHECK	APP.
△				

SLW065-24F



- 주 기
1. 샘플 승인 득한후 양산할 것.
  2. 제품 조립시 작업자가 상해를 입지 않도록 날카로운 부위를 제거한다.
  3. 지시하지 않은 R은 자연R로 한다.
  4. 기타 자세한 사항은 설계자와 협의한다.

GENERAL TOLERANCE

SIZE	A LEVEL	B LEVEL	C LEVEL
1-4	±0.07	±0.10	±0.15
4-6	±0.07	±0.20	±0.25
6-13	±0.10	±0.30	±0.50
13-250	±0.15	±0.55	±1.00
250-500	±0.30	±0.90	±1.50
500-1000	±0.50	±1.50	±2.50

부품번	번호	명칭	갯수	재질	비고																		
Part No.	No.	Part Name	Q'ty	Material	Remarks																		
<table border="1"> <tr> <td>DESIGN</td> <td>CHECKED</td> <td>CHECKED</td> <td>APPROVED</td> <td>DATE</td> <td>SCALE</td> </tr> <tr> <td></td> <td></td> <td></td> <td></td> <td></td> <td></td> </tr> </table>			DESIGN	CHECKED	CHECKED	APPROVED	DATE	SCALE							<table border="1"> <tr> <td>DATE</td> <td>TITLE</td> <td>BOOK No.</td> </tr> <tr> <td>2009. 02. 16</td> <td>MM</td> <td></td> </tr> </table>			DATE	TITLE	BOOK No.	2009. 02. 16	MM	
DESIGN	CHECKED	CHECKED	APPROVED	DATE	SCALE																		
DATE	TITLE	BOOK No.																					
2009. 02. 16	MM																						
<table border="1"> <tr> <td>DATE</td> <td>SCALE</td> <td>BOOK No.</td> </tr> <tr> <td>2009. 02. 16</td> <td>A1</td> <td></td> </tr> </table>			DATE	SCALE	BOOK No.	2009. 02. 16	A1		<table border="1"> <tr> <td>DATE</td> <td>SCALE</td> <td>BOOK No.</td> </tr> <tr> <td>2009. 02. 16</td> <td>A1</td> <td></td> </tr> </table>			DATE	SCALE	BOOK No.	2009. 02. 16	A1							
DATE	SCALE	BOOK No.																					
2009. 02. 16	A1																						
DATE	SCALE	BOOK No.																					
2009. 02. 16	A1																						

**JSAMO**

DATE : 2009. 02. 16      DWG No. : LWP-TP1005-0