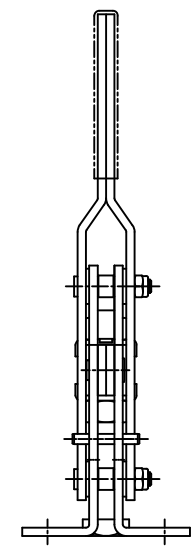
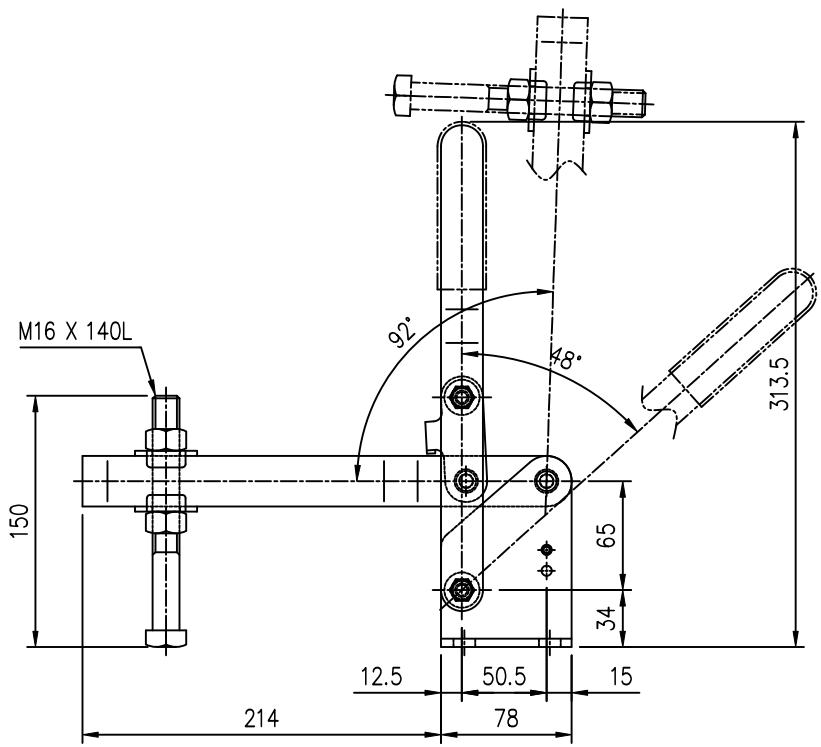
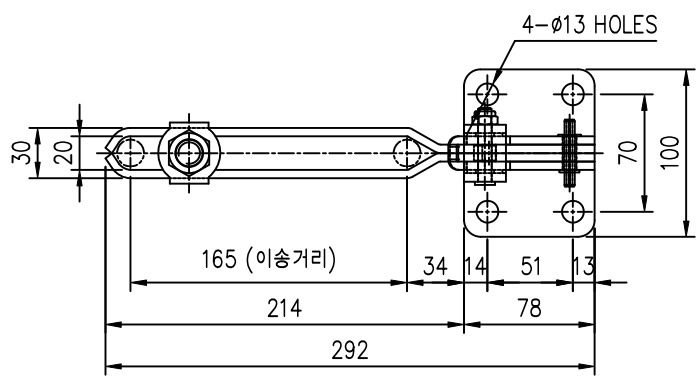


DATE	REVISION	DETAIL OF REVISION	DRG. NO.

SLW055-12F



GENERAL TOLERANCE		1st	2nd	3rd	4th	5th	6th	7th	8th
±0.1	±0.05	±0.02	±0.01	±0.005	±0.002	±0.001	±0.0005	±0.0002	±0.0001
±0.2	±0.1	±0.05	±0.02	±0.01	±0.005	±0.002	±0.001	±0.0005	±0.0002
±0.3	±0.15	±0.07	±0.03	±0.015	±0.007	±0.003	±0.0015	±0.0007	±0.0003
±0.4	±0.2	±0.1	±0.05	±0.02	±0.01	±0.005	±0.002	±0.001	±0.0005
±0.5	±0.25	±0.12	±0.06	±0.03	±0.015	±0.007	±0.003	±0.0015	±0.0007
±0.6	±0.3	±0.15	±0.07	±0.03	±0.015	±0.007	±0.003	±0.0015	±0.0007
±0.7	±0.35	±0.17	±0.08	±0.04	±0.02	±0.01	±0.005	±0.002	±0.001
±0.8	±0.4	±0.2	±0.1	±0.05	±0.02	±0.01	±0.005	±0.002	±0.001
±0.9	±0.45	±0.22	±0.11	±0.05	±0.02	±0.01	±0.005	±0.002	±0.001
±1.0	±0.5	±0.25	±0.12	±0.06	±0.03	±0.015	±0.007	±0.003	±0.0015

**SAMO**