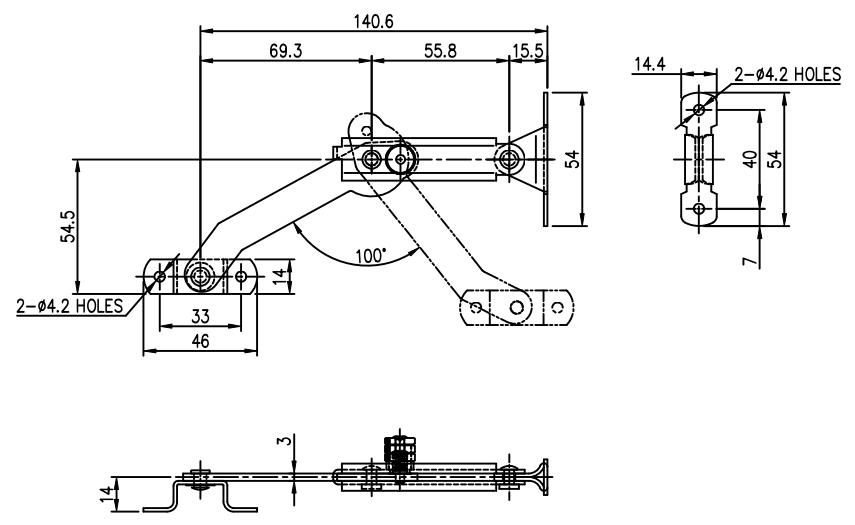


MARK	DATE	DETAIL OF REVISION	CHECK	APP.
△				

ST-9-1S



GENERAL TOLERANCE

수량	A LEVEL	B LEVEL	C LEVEL
1-4	±0.07	±0.10	±0.20
4-6	±0.07	±0.20	±0.25
16-63	±0.10	±0.30	±0.50
63-250	±0.15	±0.55	±1.00
250-500	±0.30	±0.80	±1.50
500-1000	±0.50	±1.50	±2.50

부품번	번호	명칭	수량	재질	비고
Part No.	No.	Part Name	Q'ty	Material	Remarks
DRAWN: _____ CHECKED: _____ APPROVED: _____ DATE: _____			DSCALE: <input checked="" type="checkbox"/> 1/1 PSCALE: _____ UNIT: MM TITLE: _____ DRAWN: _____ CHECKED: _____ DATE: _____ DWG No.: _____		

