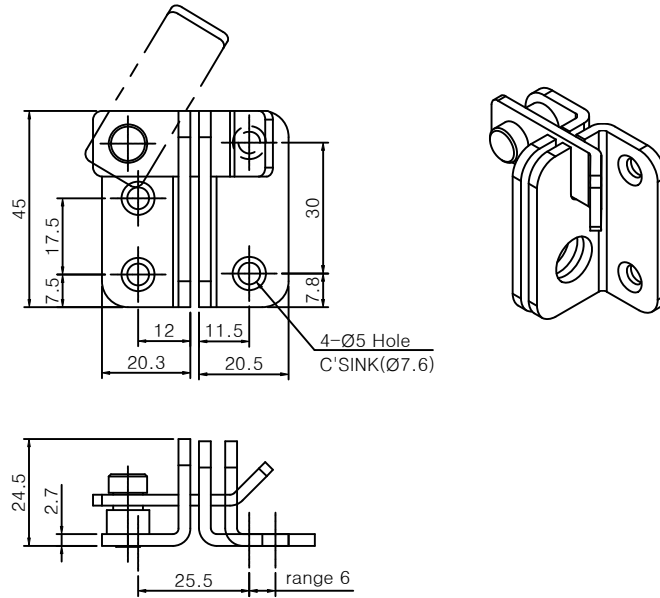


# SGL-1145P-1L



| MARK | DATE | DETAIL OF REVISION | CHECK | APP. |
|------|------|--------------------|-------|------|
| △    |      |                    |       |      |
| △    |      |                    |       |      |

| 적용 도면 (Applied DRAW. No.) |               |
|---------------------------|---------------|
| 도면 번호 (DRAW. No.)         | 비 고 (Remarks) |
| 1                         |               |
| 2                         |               |

**주 기**

1. 샘플승인득한후양산할것.
2. 제품조립시작업자가상해를입지않도록날카로운부위를제거한다.
3. 지시하지않은R은자연R로한다.
4. 기타자세한사항은설계자와협의한다.

GENERAL TOLERANCE

| DIVISION | GRADE            | A LEVEL          | B LEVEL          | C LEVEL |
|----------|------------------|------------------|------------------|---------|
| 1-4      | <del>±0.05</del> | <del>±0.10</del> | <del>±0.25</del> |         |
| 4-6      | <del>±0.07</del> | <del>±0.20</del> | <del>±0.35</del> |         |
| 16-63    | <del>±0.10</del> | <del>±0.30</del> | <del>±0.50</del> |         |
| 63-250   | <del>±0.18</del> | <del>±0.55</del> | <del>±0.80</del> |         |
| 250-500  | <del>±0.30</del> | <del>±0.90</del> | <del>±1.50</del> |         |
| 500-1000 | <del>±0.50</del> | <del>±1.50</del> | <del>±2.50</del> |         |

| 부 품 번<br>Part No. | 번 호<br>No. | 명 칭<br>Part Name | 갯 수<br>Qt'y | 재 질         | 비 고<br>Remarks |
|-------------------|------------|------------------|-------------|-------------|----------------|
| DRAWN             | CHECKED    | CHECKED          | APPROVED    | SCALE : 1/1 | MODEL :        |
|                   |            |                  | UNIT : MM   | TITLE :     |                |
| <b>SAMO</b>       |            |                  | SIZE : A2   | MODEL No.   |                |
|                   |            |                  | DATE :      | DWG No.     |                |