

A

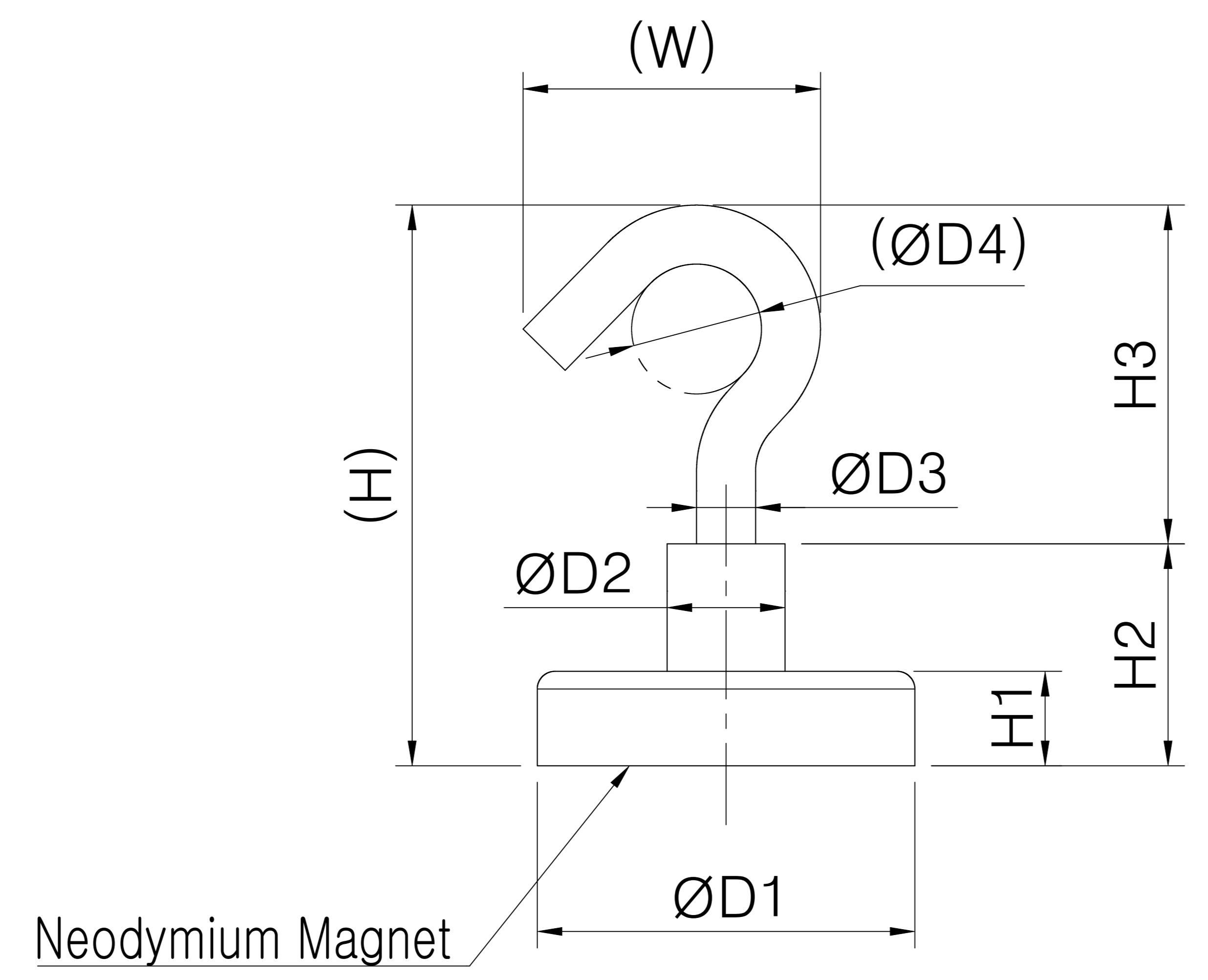
B

C

D

적용 도면 (Applied DRAW. No.)	
도면 번호 (DRAW. No.)	비 고 (Remarks)
1	
2	

MARK	DATE	DETAIL OF REVISION	CHECK	APP.
△				
△				



	D1	D2	D3	D4	H	W	H1	H2	H3	자력
SJ—NDR-16	16	6.5	3	8	33.2	17.5	5	12.5	20	8kgf
SJ—NDR-20	20	6.5	3	8	35.4	17.5	7	13.9	21	12kgf
SJ—NDR-25	25	7.5	4.4	9.5	44.5	21.5	7.5	17	27	25kgf
SJ—NDR-32	32	10	5	11	47.5	25.2	8	18.8	32.8	40kgf
SJ—NDR-36	36	10	5	12	52	25.5	7.5	18	35	52kgf
SJ—NDR-42	42	10	5	12	55	25.5	8.5	18	36.5	77kgf
SJ—NDR-48	48	15	6.8	17	62	34	8	20	41	82kgf
SJ—NDR-60	60	18	7	40	101	67	15	30	70	113kgf
SJ—NDR-75	75	16	8.5	29	95	55	18	34	60	164kgf

GENERAL TOLERANCE

DIVISION	GRADE	A LEVEL	B LEVEL	C LEVEL
1-4		±0.05	±0.10	±0.25
4-6		±0.07	±0.20	±0.35
16-63		±0.10	±0.30	±0.50
63-250		±0.18	±0.55	±0.90
250-500		±0.30	±0.90	±1.50
500-1000		±0.50	±1.50	±2.50

부 품 번 Part No.	번호 No.	명 칭 Part Name	갯수 Qt'y	재 질	비 고 Remarks	
DRAWN	CHECKED	CHECKED	APPROVED	SCALE : 1 / 1	MODEL :	
				UNIT: MM	TITLE:	
				SIZE: A3	THIRD ANGLE PROJECTION	MODEL No.
				DATE :	DWG No.	

A

B

C

D