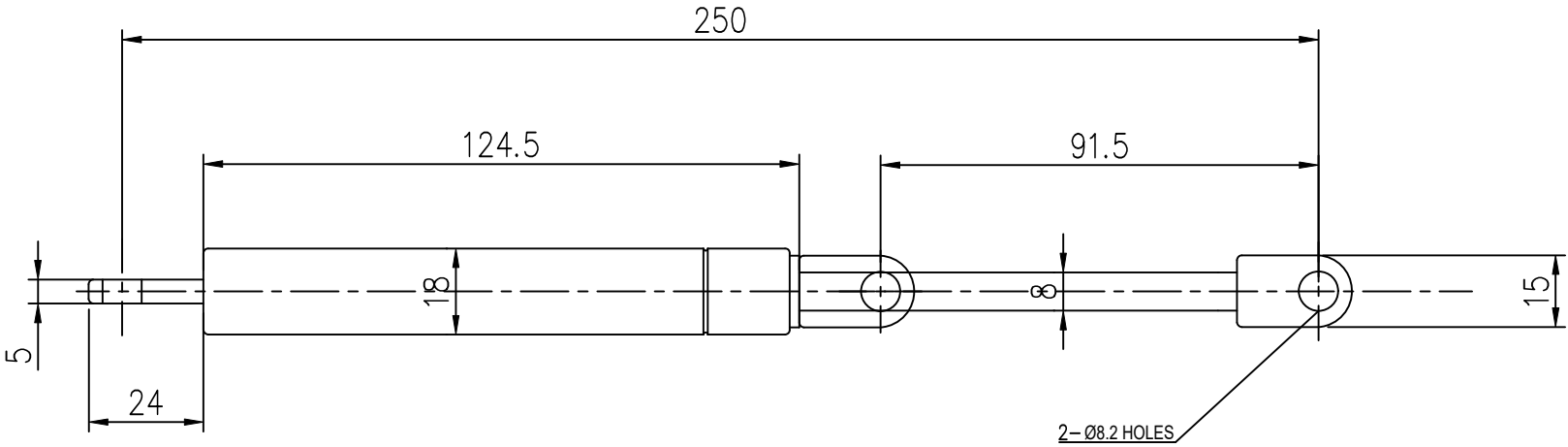


작업 승인 (Approved Draw No.)	작업 번호 (Draw No.)

MARK	DATE	DETAIL OF REVISION	CHECK	APP.

SGS-250 Series



GENERAL TOLERANCE

SIZE	A LEVEL	B LEVEL	C LEVEL
1-4	±0.07	±0.10	±0.12
4-6	±0.07	±0.20	±0.25
16-63	±0.10	±0.30	±0.50
63-250	±0.16	±0.55	±1.00
250-500	±0.30	±0.90	±1.50
500-1000	±0.50	±1.50	±2.50

Part No.	No.	Part Name	수량	재질	비고
			1		
SWMM	CHECKED	CHECKED	APPROVED	SCALE	REMARKS
				1/1	
				UNIT	
				MM	
				TYPE	
				A1	
				DATE	
				DWG No.	

