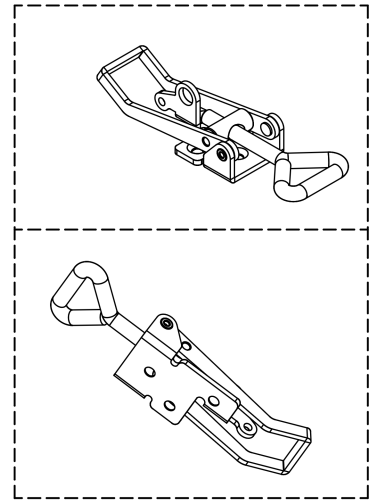
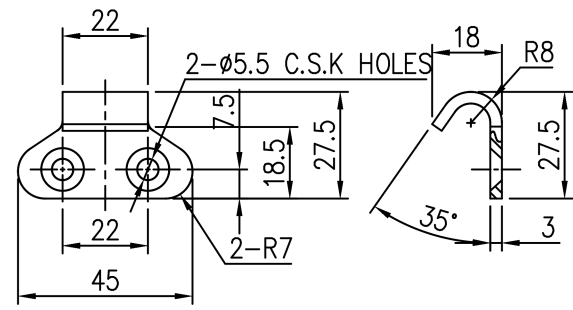
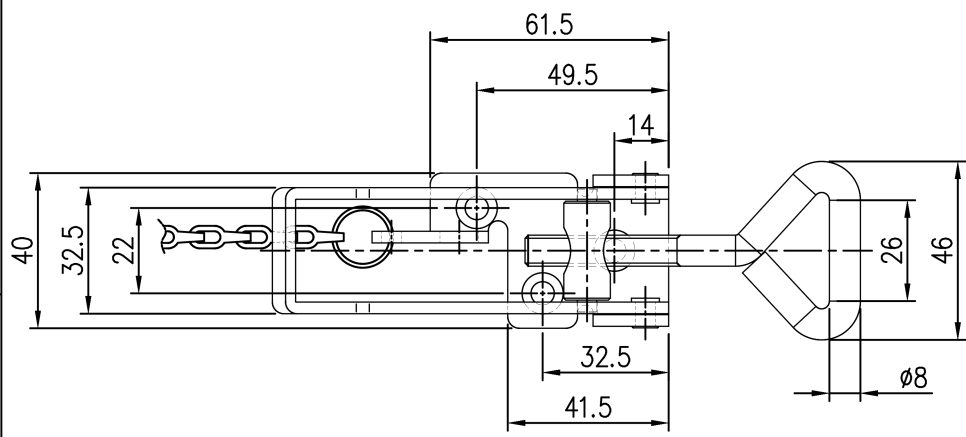
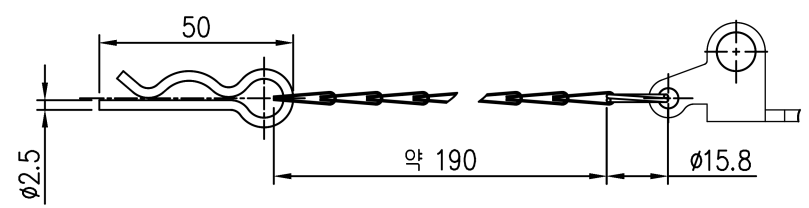
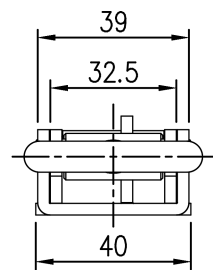
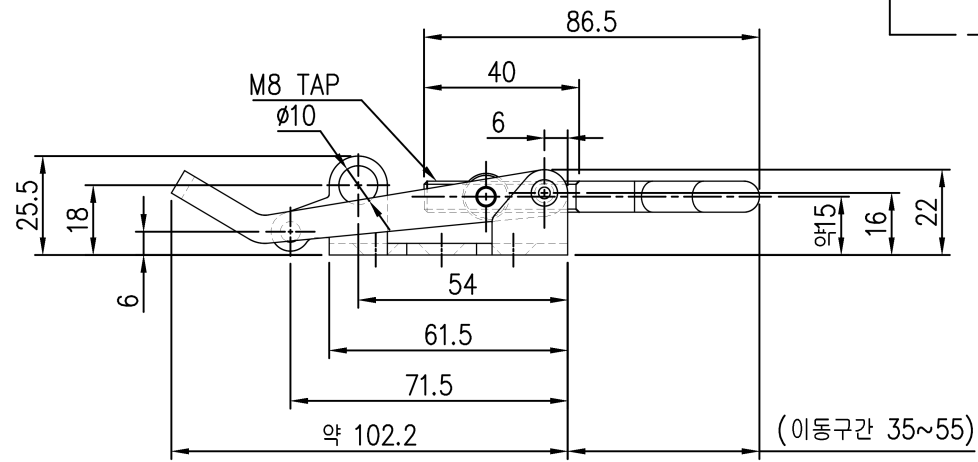


| 적용 도면 (Applied DRAW. No.) | |
|---------------------------|--------------|
| 도면 번호 (DRAW. No.) | 비고 (Remarks) |
| 1 | |
| 2 | |

| MARK | DATE | DETAIL OF REVISION | CHECK | APP. |
|------|------|--------------------|-------|------|
| △ | | | | |



ISOMETRIC VIEW



| GENERAL TOLERANCE | | | | |
|-------------------|-------|---------|---------|---------|
| DIMENSION | GRADE | A LEVEL | B LEVEL | C LEVEL |
| 1-4 | ±0.05 | ±0.10 | ±0.25 | |
| 4-16 | ±0.07 | ±0.20 | ±0.35 | |
| 16-63 | ±0.10 | ±0.30 | ±0.50 | |
| 63-250 | ±0.18 | ±0.55 | ±0.90 | |
| 250-500 | ±0.30 | ±0.90 | ±1.50 | |
| 500-1000 | ±0.50 | ±1.50 | ±2.50 | |

| | | | | | |
|-----------------|----------|----------------|-----------|---------------|--------------|
| 부품번호 (Part No.) | 번호 (No.) | 명칭 (Part Name) | 갯수 (Qt'y) | 재질 (Material) | 비고 (Remarks) |
| | | | | | |
| DRAWN | CHECKED | CHECKED | APPROVED | SCALE: 1/1 | MODEL: |
| | | | | UNIT: | TITLE: |
| | | | SIZE: A2 | MODEL No.: | |
| | | | DATE: | DWG No.: | |