

A

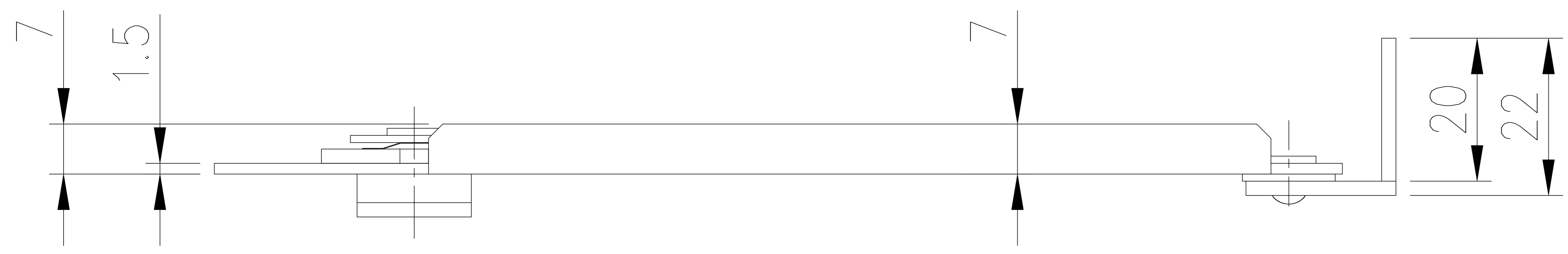
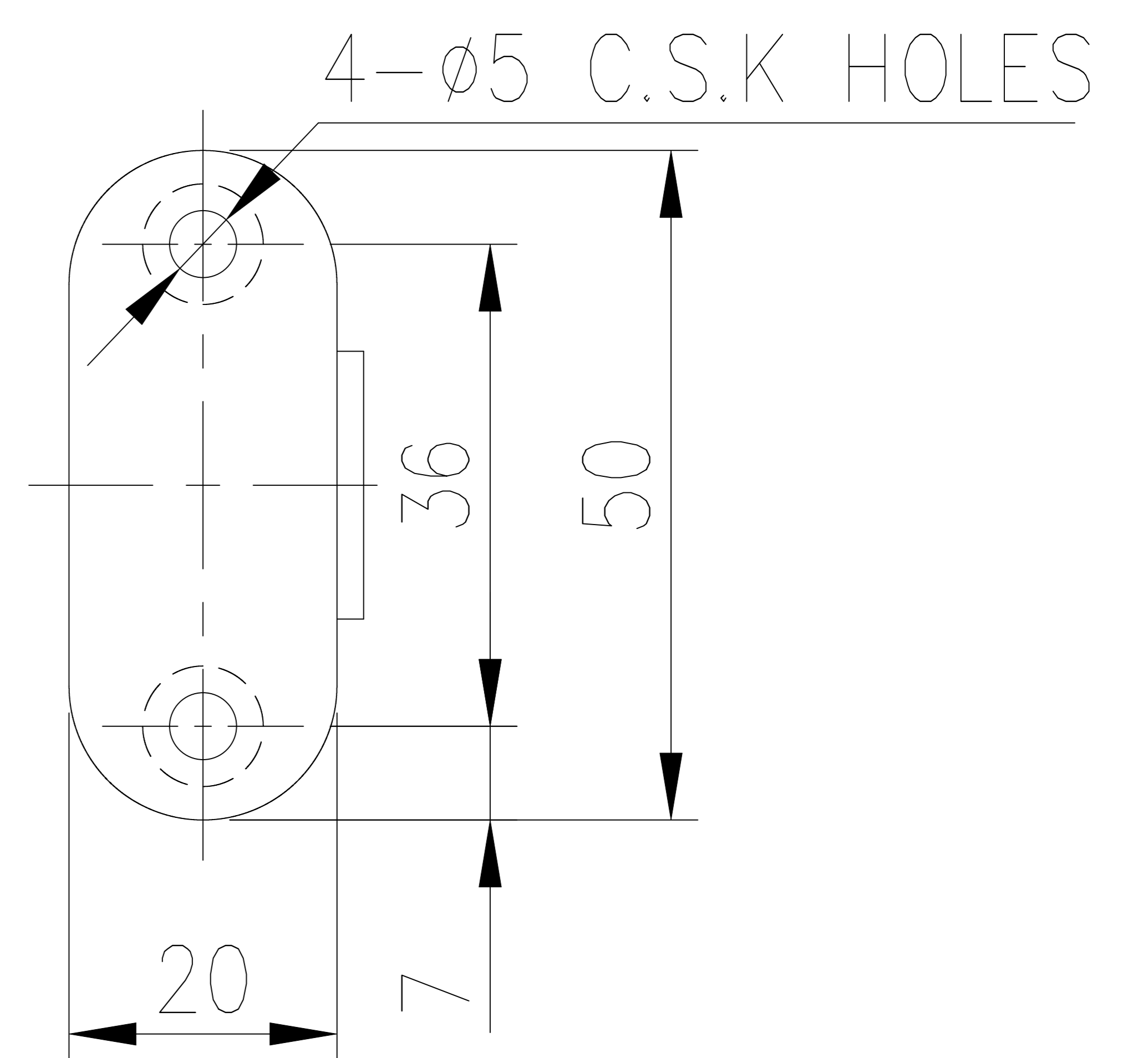
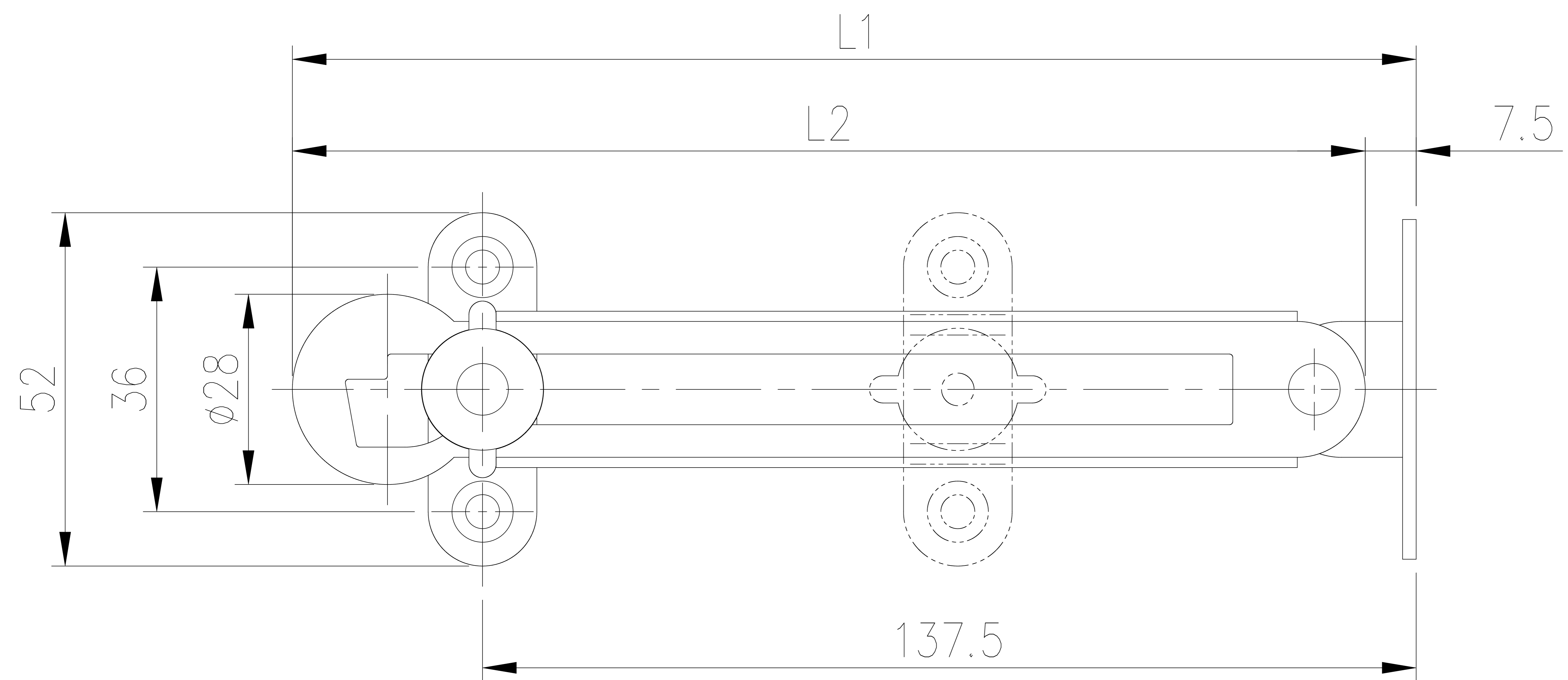
B

C

D

적용 도면 (Applied DRAW. No.)	
도면 번호 (DRAW. No.)	비 고 (Remarks)
1	
2	

MARK	DATE	DETAIL OF REVISION	CHECK	APP.
△				
△				



GENERAL TOLERANCE

DIVISION	GRADE	A LEVEL	B LEVEL	C LEVEL
1-4		±0.05	±0.10	±0.25
4-6		±0.07	±0.20	±0.35
16-63		±0.10	±0.30	±0.50
63-250		±0.18	±0.55	±0.90
250-500		±0.30	±0.90	±1.50
500-1000		±0.50	±1.50	±2.50

부 품 번 Part No.		번호 No.	명 칭 Part Name		갯수 Qt'y	재 질 Material	비 고 Remarks	
DRAWN	CHECKED	CHECKED	APPROVED	SCALE : 1 / 1	MODEL :			
				UNIT : MM	TITLE :			
				SIZE : A3	THIRD ANGLE PROJECTION		MODEL No.	
				DATE :	DWG No.			

A

B

C

D