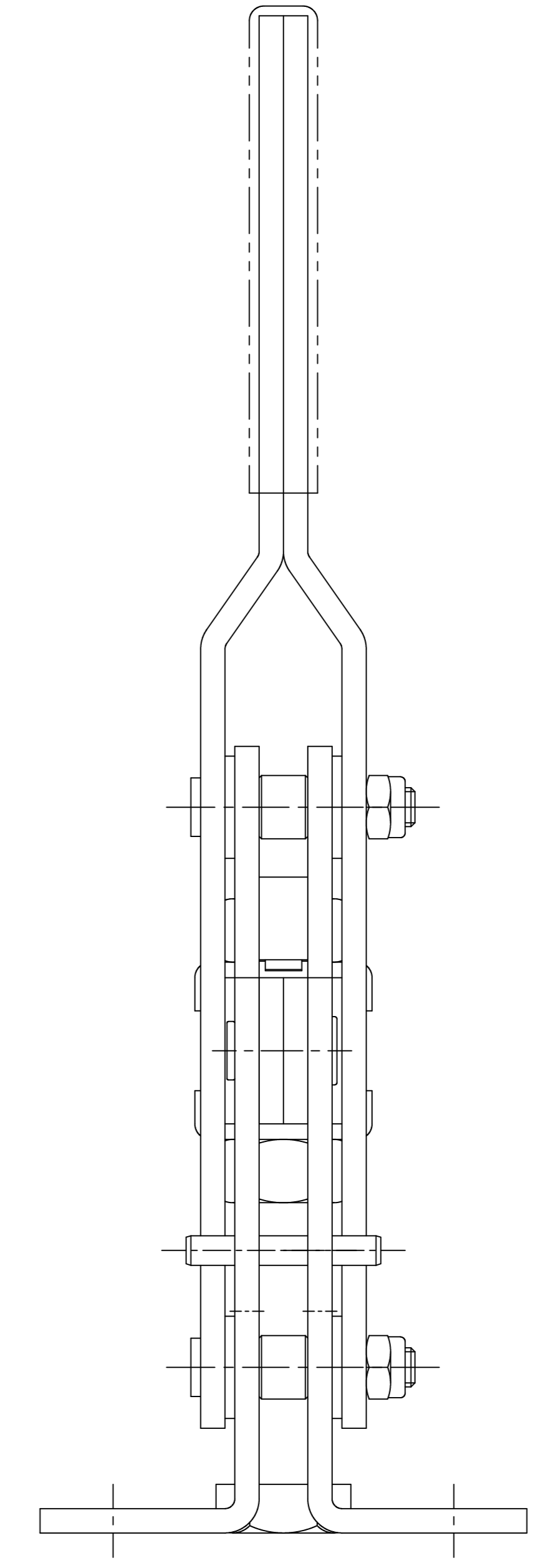
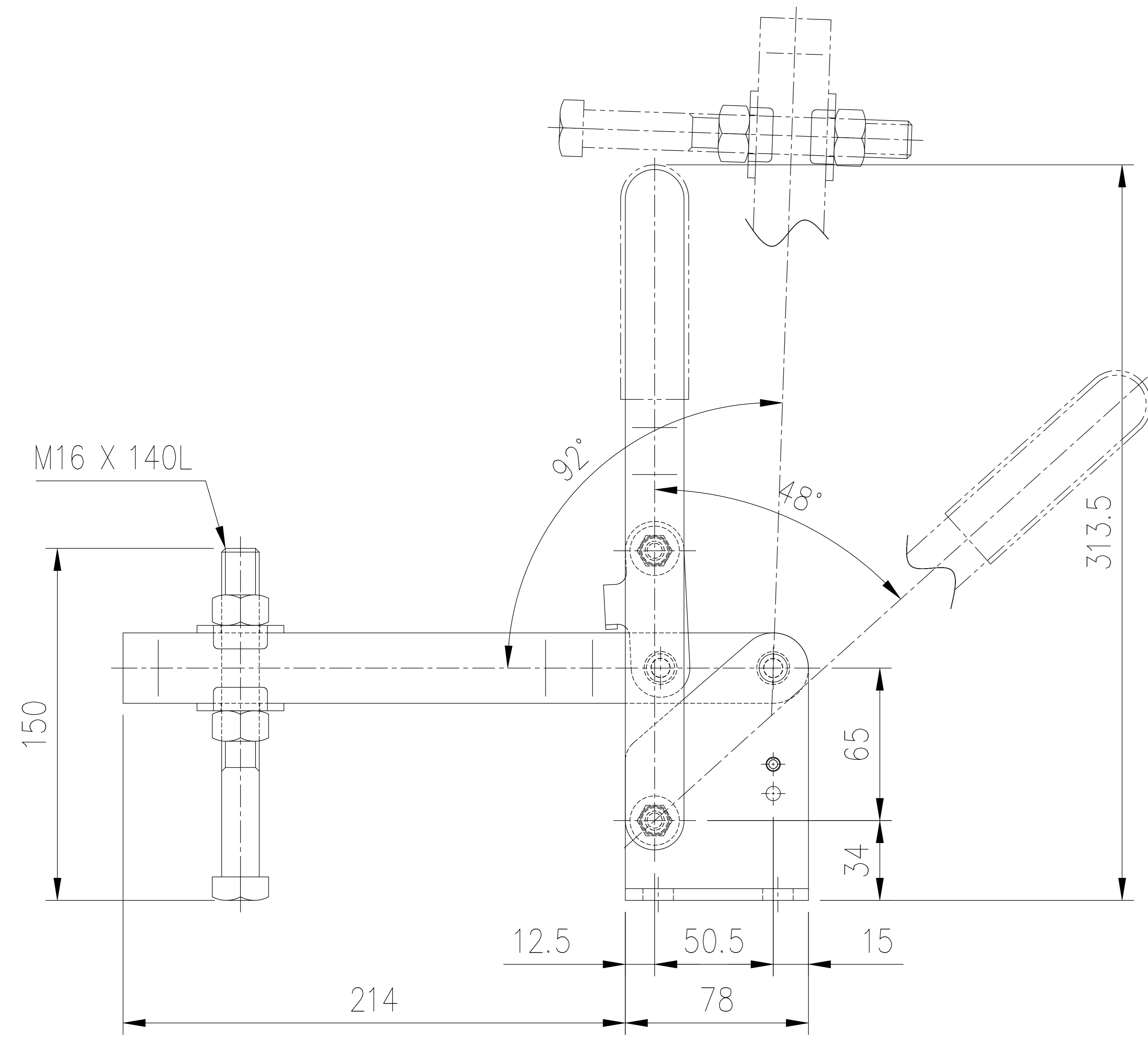
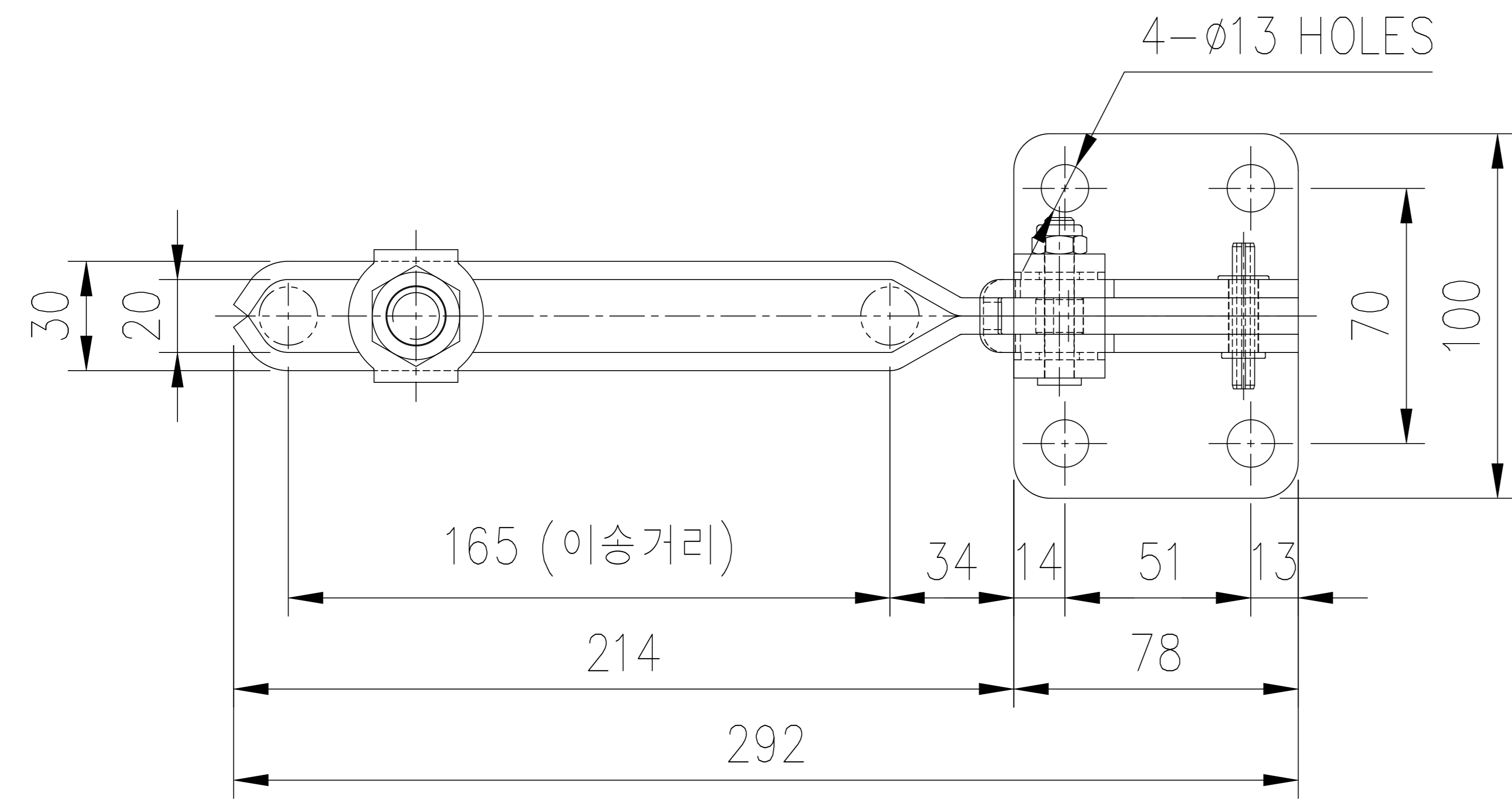


1	도면 번호 (DWG No.)	비고 (Remarks)
2		

MARK	DATE	DETAIL OF REVISION	CHECK	APP.



GENERAL TOLERANCE				부품 번호	영칭	갯수	재질	비고
GRADE	A LEVEL	B LEVEL	C LEVEL	Part No.	Part Name	Qty	Material	Remarks
1-4	± 0.05	± 0.10	± 0.25	DRW/N	CHECKED	CHECKED	APPROVED	SCALE: 1/1
4-16	± 0.07	± 0.20	± 0.35					UNIT: MM
16-63	± 0.10	± 0.30	± 0.50					TITLE:
63-250	± 0.18	± 0.55	± 0.90					MODEL No.
250-500	± 0.30	± 0.90	± 1.50					DATE:
500-1000	± 0.50	± 1.50	± 2.50					DWG No.

삼오하드웨어