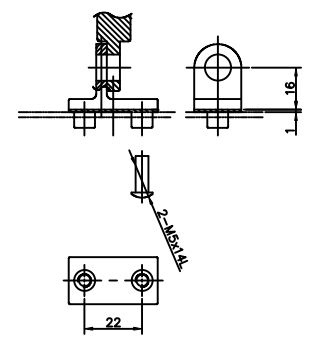
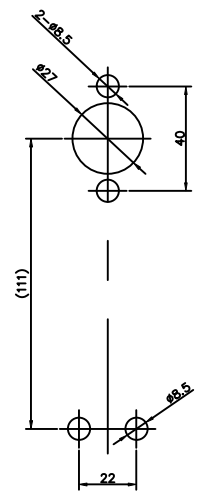
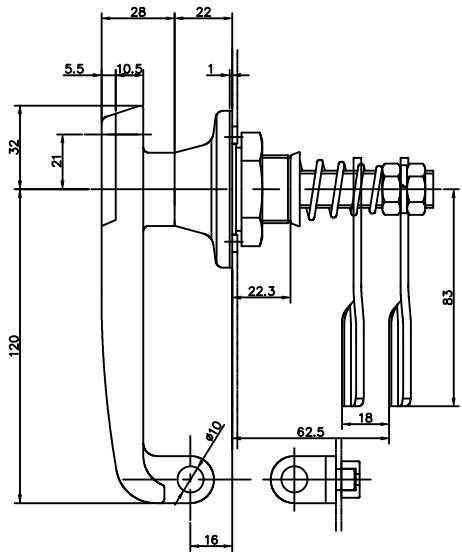
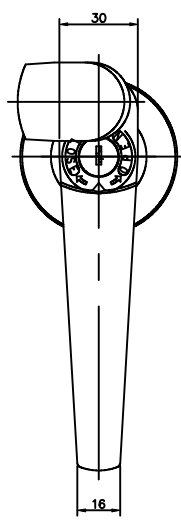
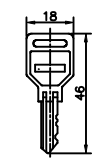


표준 도면 (Applied DIM. No.)	
도면 번호 (DIM. No.)	비고 (Remarks)
1	
2	

MARK	DATE	DETAIL OF REVISION	CHECK	APP.
▲				
▲				



EXAMPLE OF APPLICATIONS.



PANEL DRILLING DIMENSIONS.

GENERAL TOLERANCE

SIZE	A LEVEL	B LEVEL	C LEVEL
1-4	±0.07	±0.10	±0.15
4-16	±0.07	±0.10	±0.15
16-43	±0.10	±0.15	±0.20
43-250	±0.15	±0.20	±0.30
250-500	±0.20	±0.30	±0.40
500-1000	±0.30	±0.50	±0.80

부품 번호 Part No.	번호 No.	명칭 Part Name	개수 Q't'y	재질 Material	비고 Remarks
TRAN	CHECKED	CHECKED	APPROVED	SCALE: 1/1	MODEL:
				UNIT: MM	TITLE:
				SIZE: A1	MODEL No.
				DATE:	DWG No.

