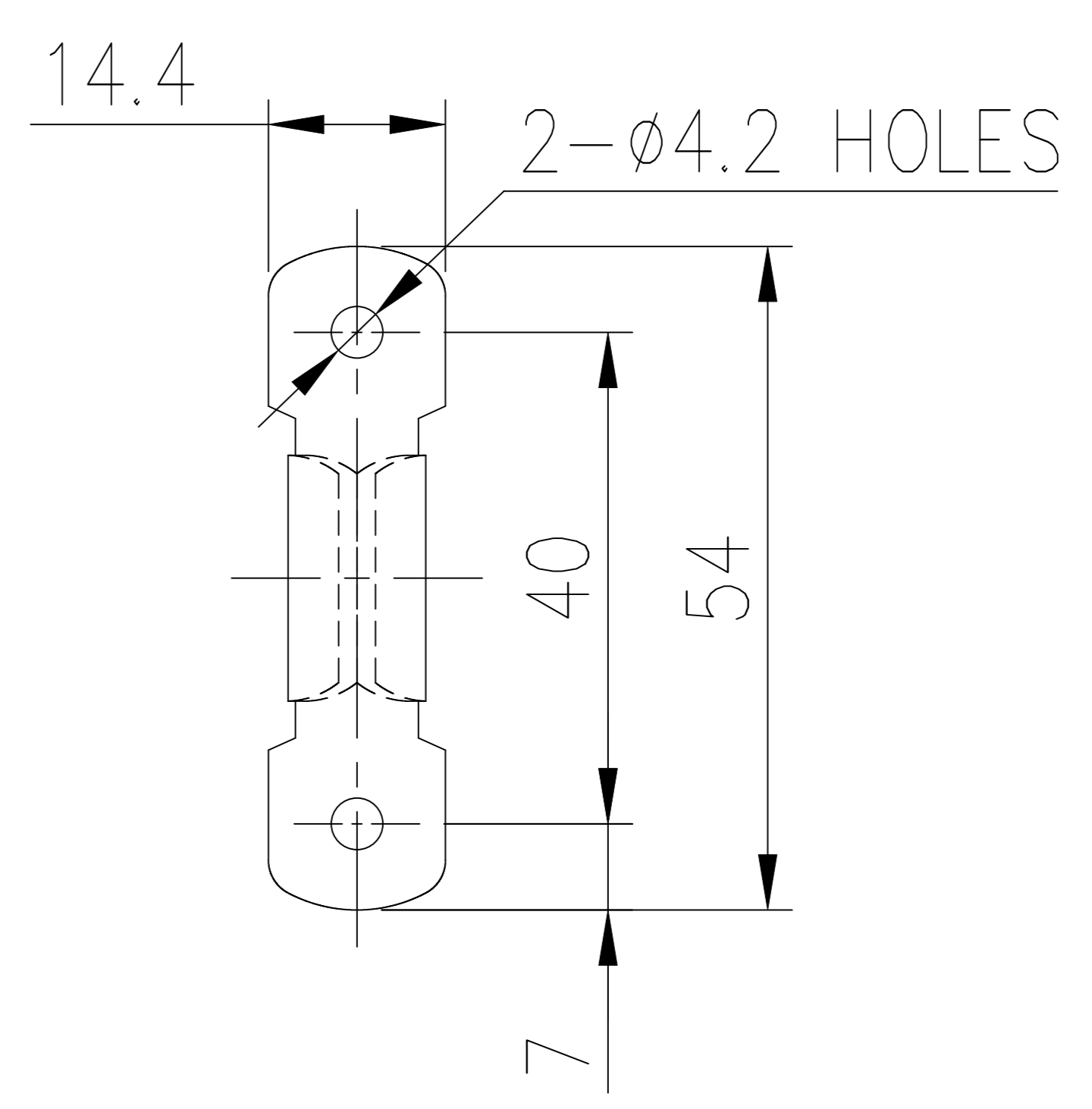
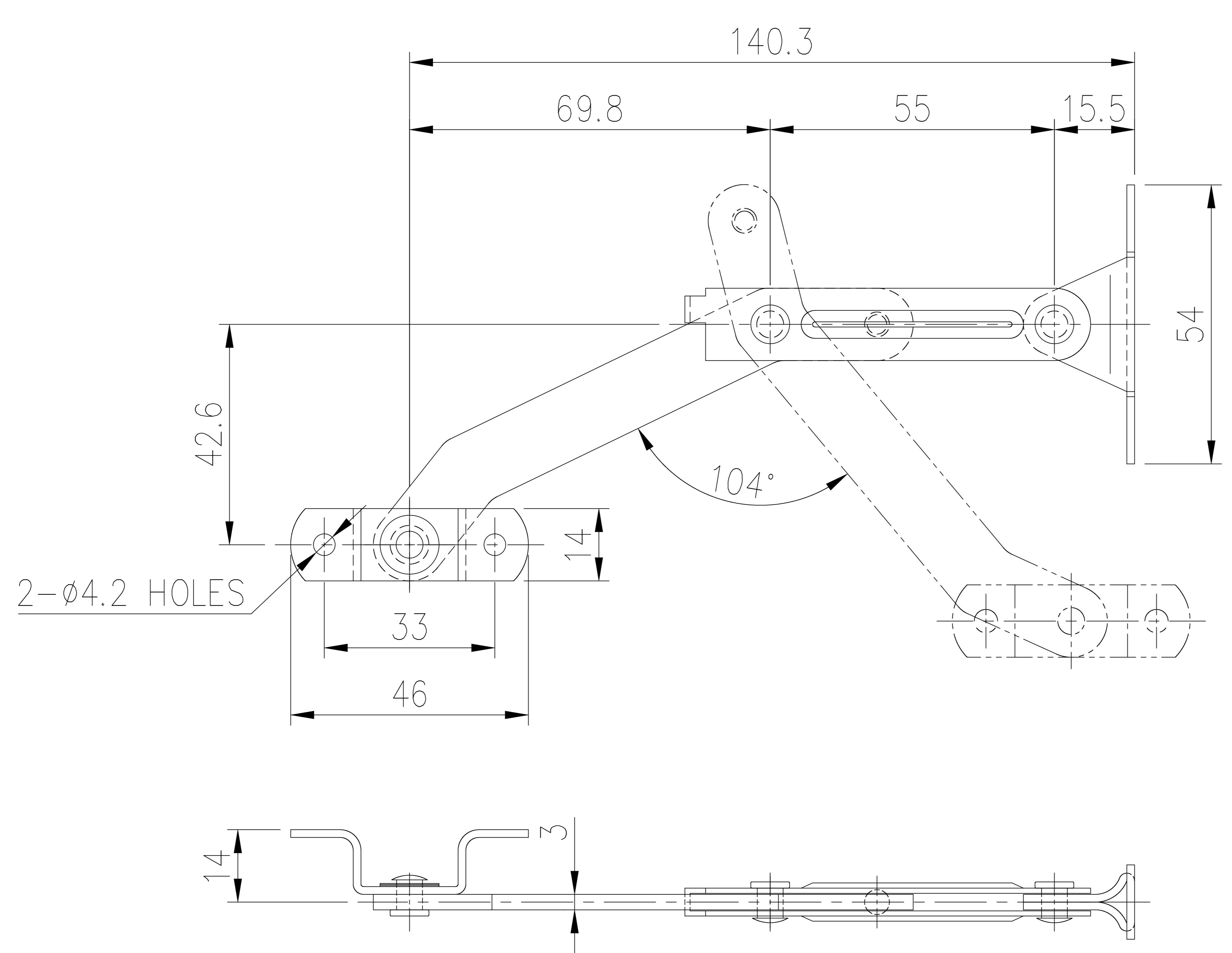


적용 도면 (Applied DRAW. No.)	
도면 번호 (DRAW. No.)	비고 (Remarks)
1	
2	

MARK	DATE	DETAIL OF REVISION	CHECK	APP.
△				
△				



GENERAL TOLERANCE				부품번호	번호	명칭	갯수	재질	비고
DIVISION	GRADE	A LEVEL	B LEVEL	C LEVEL	Part No.	Part Name	Qt'y	Material	Remarks
1-4		±0.05	±0.10	±0.25					
4-6		±0.07	±0.20	±0.35					
16-63		±0.10	±0.30	±0.50					
63-250		±0.18	±0.55	±0.90					
250-500		±0.30	±0.90	±1.50					
500-1000		±0.50	±1.50	±2.50					

DRAWN	CHECKED	CHECKED	APPROVED	SCALE : 1/1	MODEL :
				UNIT : MM	TITLE :
				SIZE : THIRD ANGLE PROJECTION	MODEL No. :
				DATE :	DWG No. :

