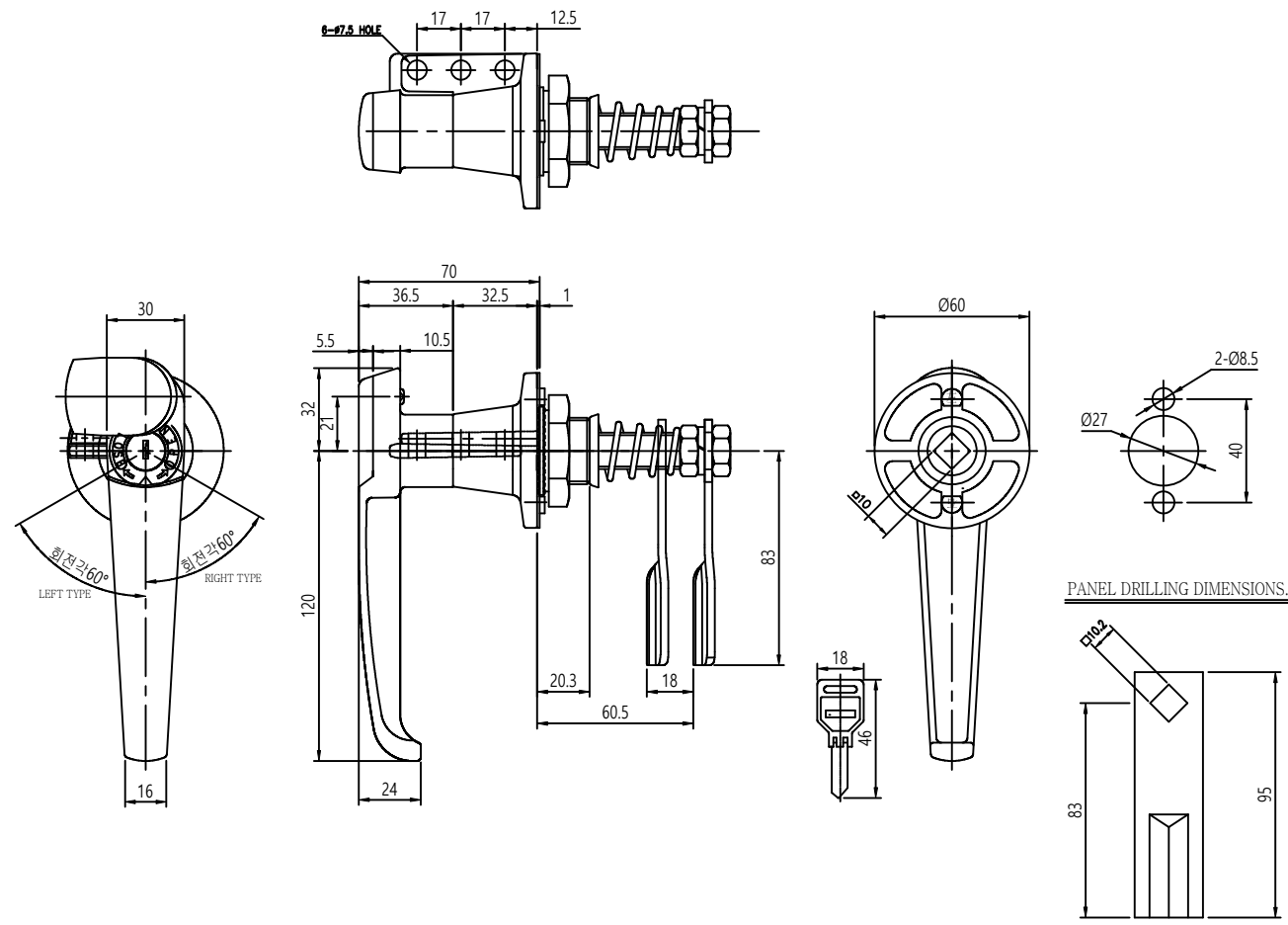


표준 도면 (Approved DWG. No.)	
도면 번호 (DWG. No.)	비고 (Remarks)
1	
2	

MARK	DATE	DETAIL OF REVISION	CHECK	APP.
▲				



SBH-110M-1KL,1KR

GENERAL TOLERANCE				부품번	번호	명칭	갯수	재질	비고
LEVEL	Ø LEVEL	Ø LEVEL	Ø LEVEL	Part No.	No.	Part Name	Q't'y		Remarks
1-4	±0.07	±0.10	±0.15						
4-4	±0.07	±0.20	±0.25						
16-43	±0.10	±0.30	±0.50						
63-200	±0.15	±0.50	±1.00						
250-500	±0.30	±1.00	±1.50						
500-1000	±0.50	±1.50	±2.50						

DRW	CHECKED	CHECKED	APPROVED	SCALE: 1/1	MODEL:

