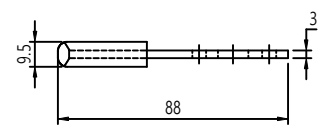
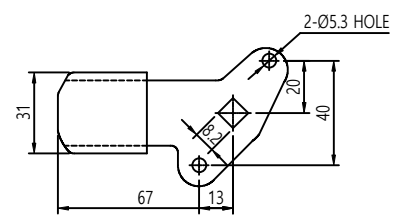
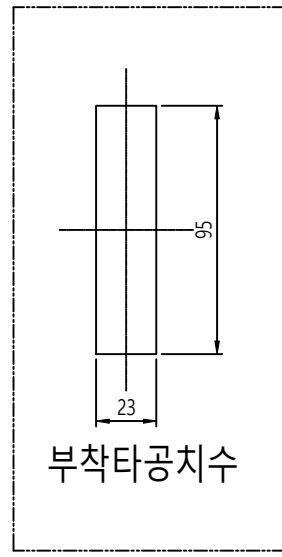
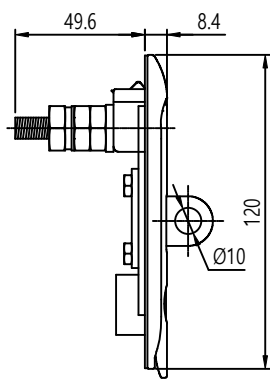
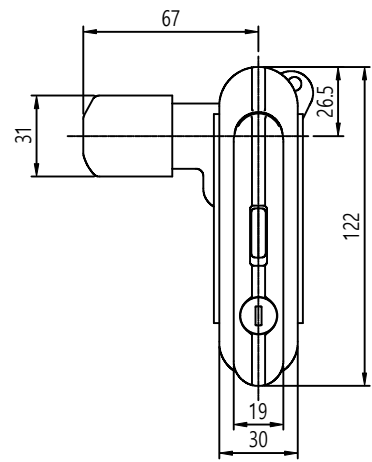


제출 순서 (Applied DWM. No.)	
구분	비고 (Remarks)
1	
2	

MARK	DATE	DETAIL OF REVISION	CHECK	APP.
▲				
▲				



GENERAL TOLERANCE

GRADE	A LEVEL	B LEVEL	C LEVEL
1-4	±0.07	±0.10	±0.15
4-7	±0.07	±0.20	±0.30
10-13	±0.10	±0.30	±0.50
16-20	±0.15	±0.50	±0.80
250-500	±0.30	±0.80	±1.20
500-1000	±0.50	±1.50	±2.50

부품번 Part No.	번호 No.	명칭 Part Name	갯수 Q't'y	재질	비고 Remarks
TRMM	CHECKED	CHECKED	APPROVED	SCALE: 1/	MODEL:
				UNIT:	TITLE:
				SIZE: A1	MODEL No.
				DATE:	DWG No.

SAMO