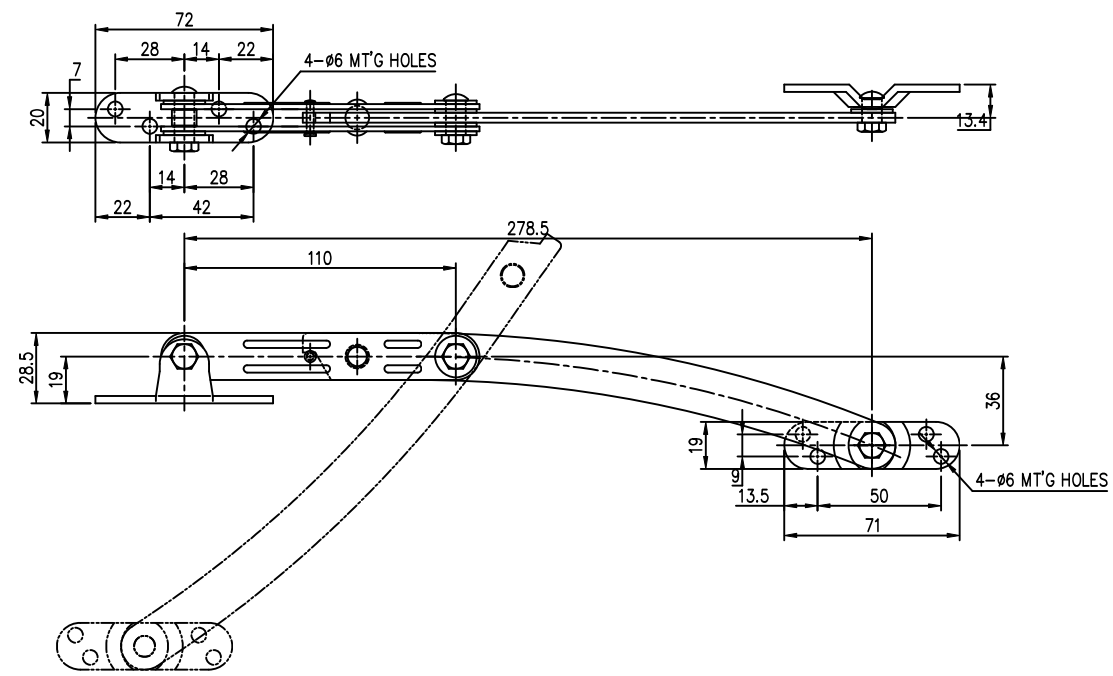


MARK	DATE	DETAIL OF REVISION	CHECK	APP.
△				

ST-8



SIZE	GRADE	A LEVEL	B LEVEL	C LEVEL
1-4	±0.07	±0.10	±0.20	±0.30
4-6	±0.07	±0.20	±0.30	±0.50
16-63	±0.10	±0.30	±0.50	±1.00
63-250	±0.15	±0.55	±1.00	±2.00
250-500	±0.30	±0.90	±1.50	±3.00
500-1000	±0.50	±1.50	±3.00	±6.00

Part No.	No.	Part Name	수량	재용	비고
			Q1'y		Remarks
SWMM	CHECKED	CHECKED	APPROVED	DRAWN	
				MM	
				BOOK No.	
				DATE	

