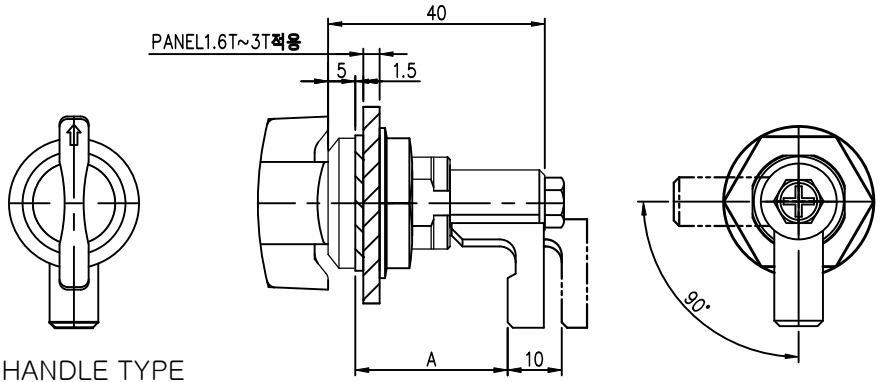


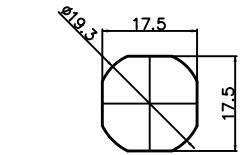
적용 도면 (Applied DRAW. No.)	
도면 번호 (DRAW. No.)	비 고 (Remarks)
1	
2	

MARK	DATE	DETAIL OF REVISION	CHECK	APP.
△				
△				



HANDLE TYPE

NO	D/BENDING	A
1	25	28.1
2	27	30.1
3	31	34.1
4	35	38.1



PANEL DRILLING DIMENSIONS

GENERAL TOLERANCE

DIVISION	GRADE	A LEVEL	B LEVEL	C LEVEL
1-4		± 0.05	± 0.10	± 0.25
4-6		± 0.07	± 0.20	± 0.35
16-63		± 0.10	± 0.30	± 0.50
63-250		± 0.18	± 0.55	± 0.90
250-500		± 0.30	± 0.90	± 1.50
500-1000		± 0.50	± 1.50	± 2.50

부 품 번 Part No.	번호 No.	명 칭 Part Name	갯수 Qt'y	재 질	비 고 Remarks
DRAWN	CHECKED	CHECKED	APPROVED	SCALE : 1/1	MODEL :
				UNIT : MM	TITLE :
SAMO				SIZE : A3	MODEL No.
				DATE :	DWG No.