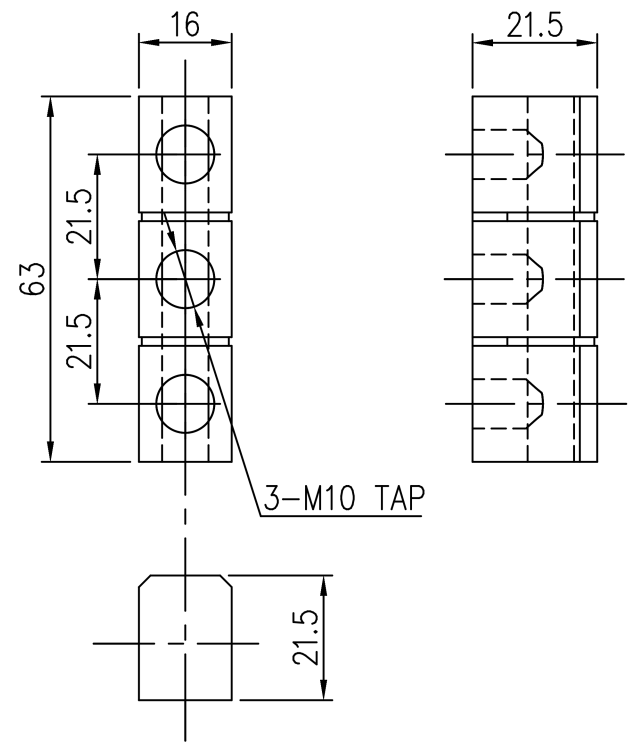


적용 도면 (Applied DRAW. No.)		C		D	
도면 번호 (DRAW. No.)	비 고 (Remarks)	MARK	DATE	DETAIL OF REVISION	APP.
1		△			
2		△			



GENERAL TOLERANCE

DIVISION	GRADE	A LEVEL	B LEVEL	C LEVEL
1-4		±0.05	±0.10	±0.25
4-6		±0.07	±0.20	±0.35
16-63		±0.10	±0.30	±0.50
63-250		±0.18	±0.55	±0.90
250-500		±0.30	±0.90	±1.50
500-1000		±0.50	±1.50	±2.50

부 품 번 Part No.	번호 No.	명 칭 Part Name	갯수 Qt'y	재 질 Material	비 고 Remarks
DRAWN	CHECKED	CHECKED	APPROVED	SCALE : 1 / 1	MODEL :
				UNIT : MM	TITLE :
				SIZE : A3	MODEL No.
				DATE :	DWG No.

1  
2  
3

1  
2  
3

A B C D