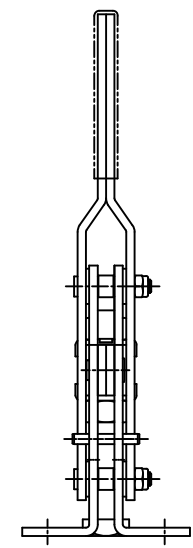
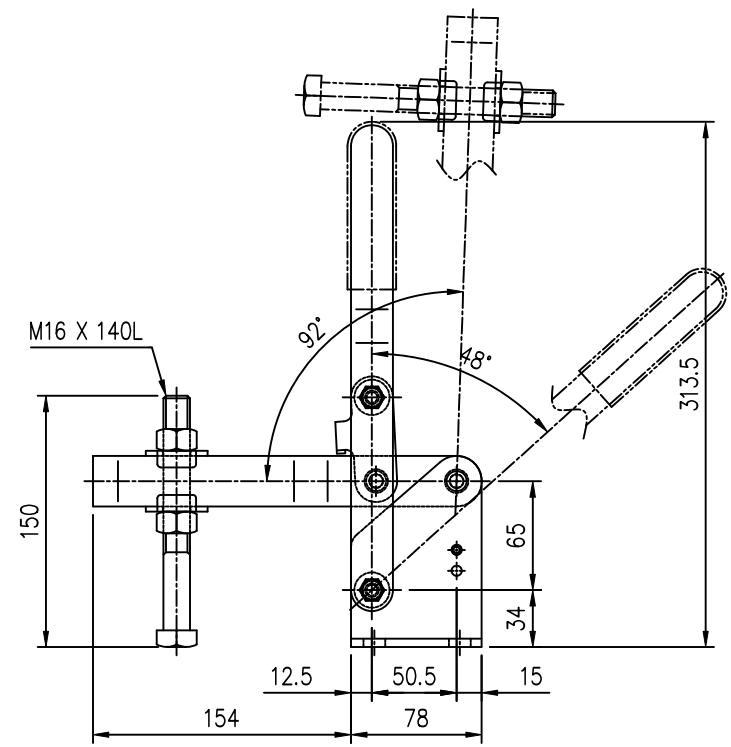
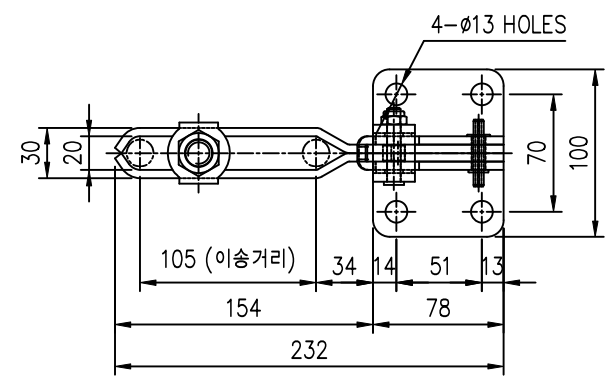


REV.	DATE	DETAIL OF REVISION	CHK.	APP.
1				

SLW055-11F



GENERAL TOLERANCE		10	11	12	13	14	15	16	17	18	19	20
1-10	±0.1	±0.05	±0.03	±0.02	±0.01	±0.005	±0.002	±0.001	±0.0005	±0.0002	±0.0001	±0.00005
11-20	±0.05	±0.02	±0.01	±0.005	±0.002	±0.001	±0.0005	±0.0002	±0.0001	±0.00005	±0.00002	±0.00001
21-30	±0.03	±0.01	±0.005	±0.002	±0.001	±0.0005	±0.0002	±0.0001	±0.00005	±0.00002	±0.00001	±0.000005
31-40	±0.02	±0.005	±0.002	±0.001	±0.0005	±0.0002	±0.0001	±0.00005	±0.00002	±0.00001	±0.000005	±0.000002
41-50	±0.01	±0.002	±0.001	±0.0005	±0.0002	±0.0001	±0.00005	±0.00002	±0.00001	±0.000005	±0.000002	±0.000001
51-60	±0.005	±0.001	±0.0005	±0.0002	±0.0001	±0.00005	±0.00002	±0.00001	±0.000005	±0.000002	±0.000001	±0.0000005
61-70	±0.002	±0.0005	±0.0002	±0.0001	±0.00005	±0.00002	±0.00001	±0.000005	±0.000002	±0.000001	±0.0000005	±0.0000002

SAMO