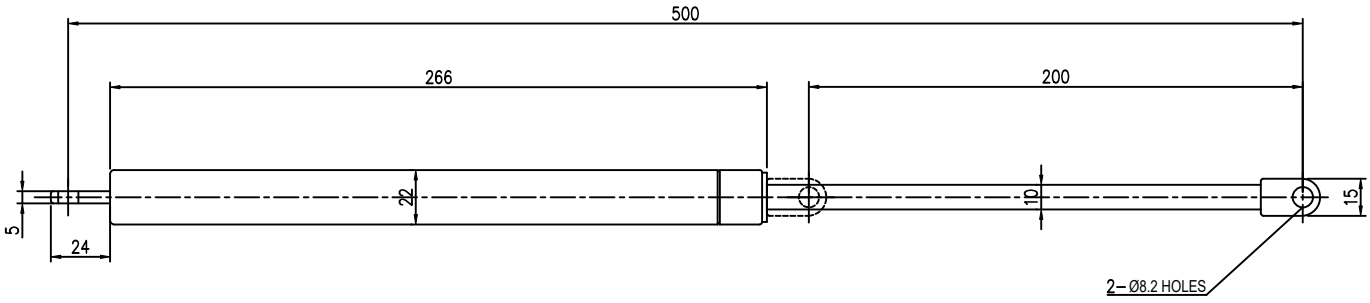


MARK	DATE	DETAIL OF REVISION	CHECK	APP.
△				
▽				



GENERAL TOLERANCE

수량	A LEVEL	B LEVEL	C LEVEL
1-4	±0.07	±0.10	±0.15
4-6	±0.07	±0.10	±0.15
16-63	±0.10	±0.15	±0.20
63-250	±0.15	±0.20	±0.30
250-500	±0.20	±0.30	±0.40
500-1000	±0.30	±0.40	±0.50

부품번호	번호	명칭	수량	재료	비고
Part No.	No.	Part Name	Q'ty	Material	Remarks

DWG:  CHECKED:  APPROVED:   
 DATE:  TITLE:   
 DRAWN:  CHECKED:   
 TITL:  DES:

**SAMO**  
 DATE:  DWG No.: