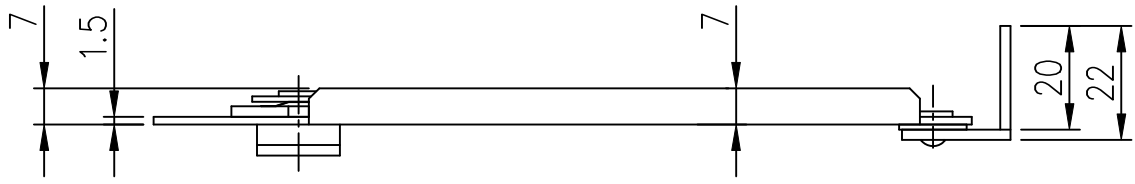
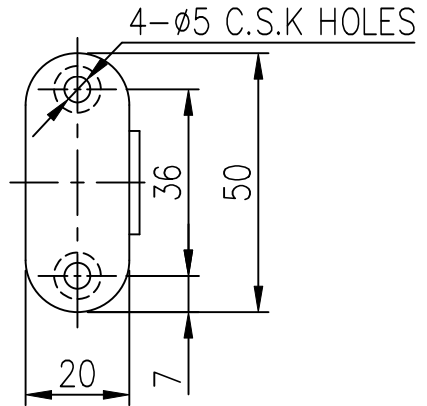
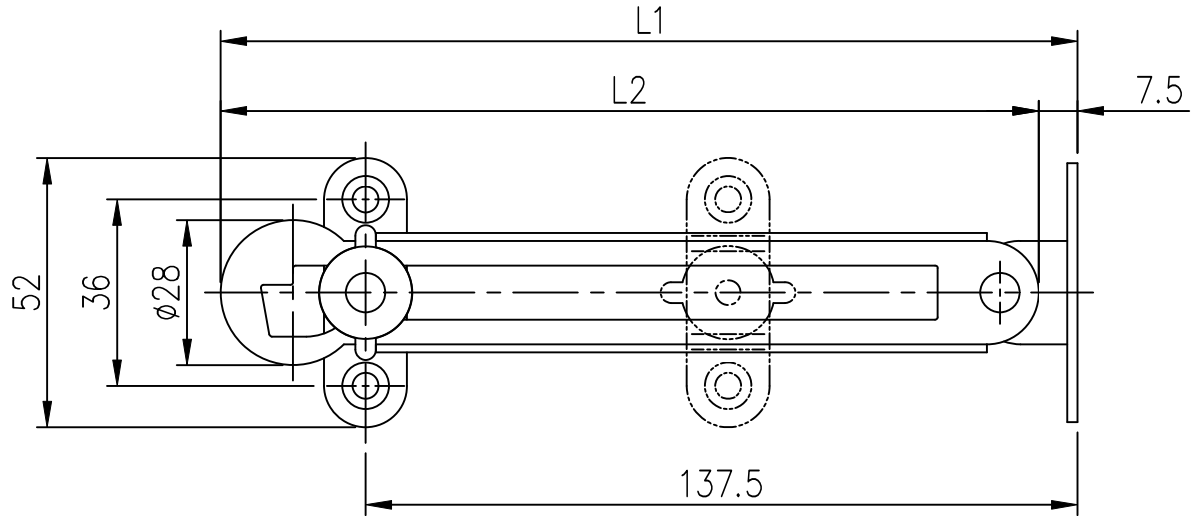


| | | | | | | | | |
|---------------------------|--------------|------|--|------|--------------------|--|-------|------|
| 적용 도면 (Applied DRAW. No.) | | MARK | | DATE | DETAIL OF REVISION | | CHECK | APP. |
| 도면 번호 (DRAW. No.) | 비고 (Remarks) | △ | | | | | | |
| 1 | | △ | | | | | | |
| 2 | | | | | | | | |

ST-10S



GENERAL TOLERANCE

| DIVISION | GRADE | A LEVEL | B LEVEL | C LEVEL |
|----------|------------------|------------------|------------------|---------|
| 1-4 | ±0.05 | ±0.10 | ±0.25 | |
| 4-6 | ±0.07 | ±0.20 | ±0.35 | |
| 16-63 | ±0.10 | ±0.30 | ±0.50 | |
| 63-250 | ±0.18 | ±0.55 | ±0.90 | |
| 250-500 | ±0.30 | ±0.90 | ±1.50 | |
| 500-1000 | ±0.50 | ±1.50 | ±2.50 | |

| | | | | | |
|------------------|-----------|-----------------|------------|------------------------|---------------|
| 부품번호 Part No. | 번호 No. | 명칭 Part Name | 갯수 Qt'y | 재질 Material | 비고 Remarks |
| DRAWN | CHECKED | CHECKED | APPROVED | SCALE : 1/1 | MODEL : |
| | | | | UNIT : MM | TITLE : |
| | | | SIZE : A3 | THIRD ANGLE PROJECTION | MODEL No. |
| | | | DATE : | | DWG No. |