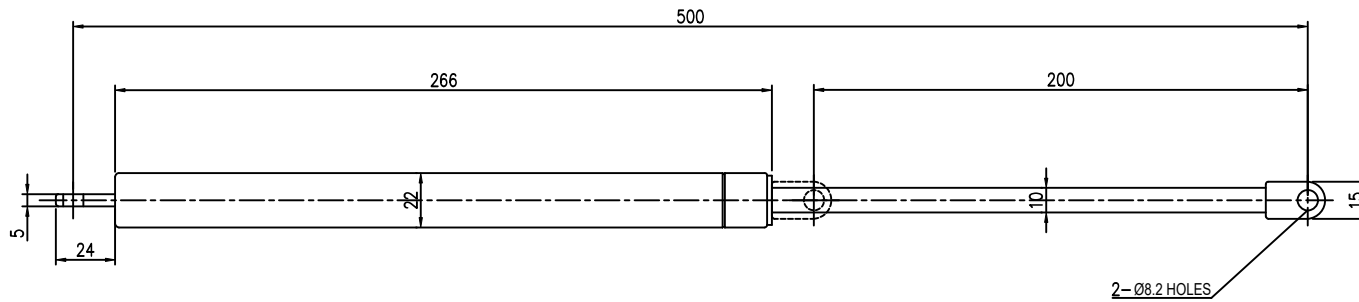


# SGS-500 Series



MARK	DATE	DETAIL OF REVISION	CHECK	APP.
△				

批准 日期 (Approved Date)	批准 姓名 (Approved Name)

数量 (Qty)	公差 (Tolerance)	A LEVEL	B LEVEL	C LEVEL
1-4	±0.07	±0.10	±0.20	
4-6	±0.07	±0.20	±0.25	
16-63	±0.10	±0.30	±0.50	
63-250	±0.15	±0.55	±1.00	
250-500	±0.30	±0.80	±1.50	
500-1000	±0.50	±1.50	±2.50	

Part No.	No.	Part Name	数量 (Qty)	材料 (Material)	备注 (Remarks)



DATE	FIG. No.	REV. No.