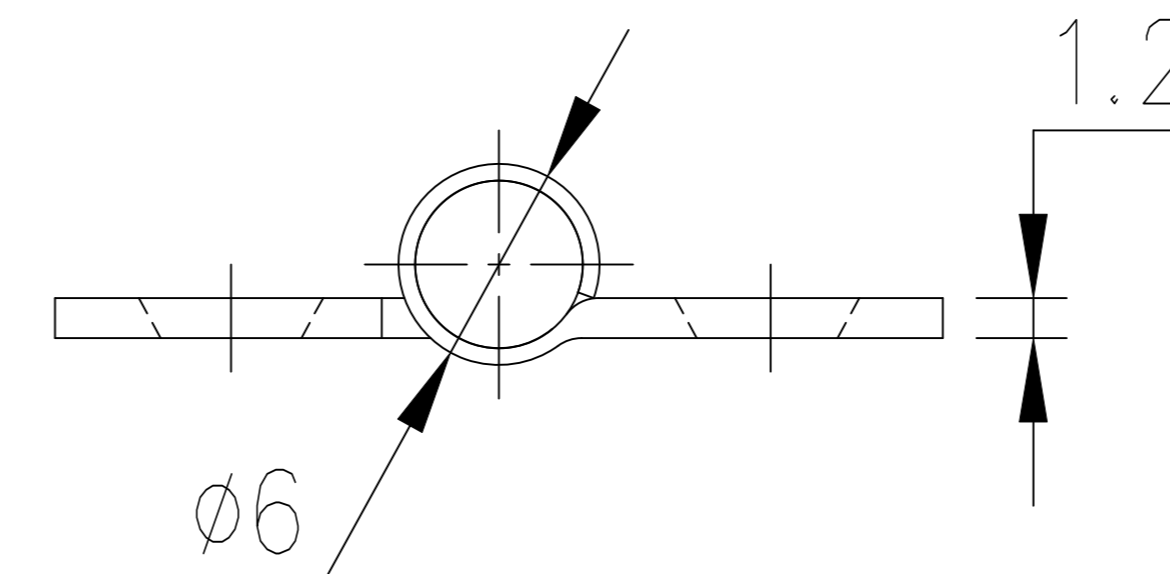
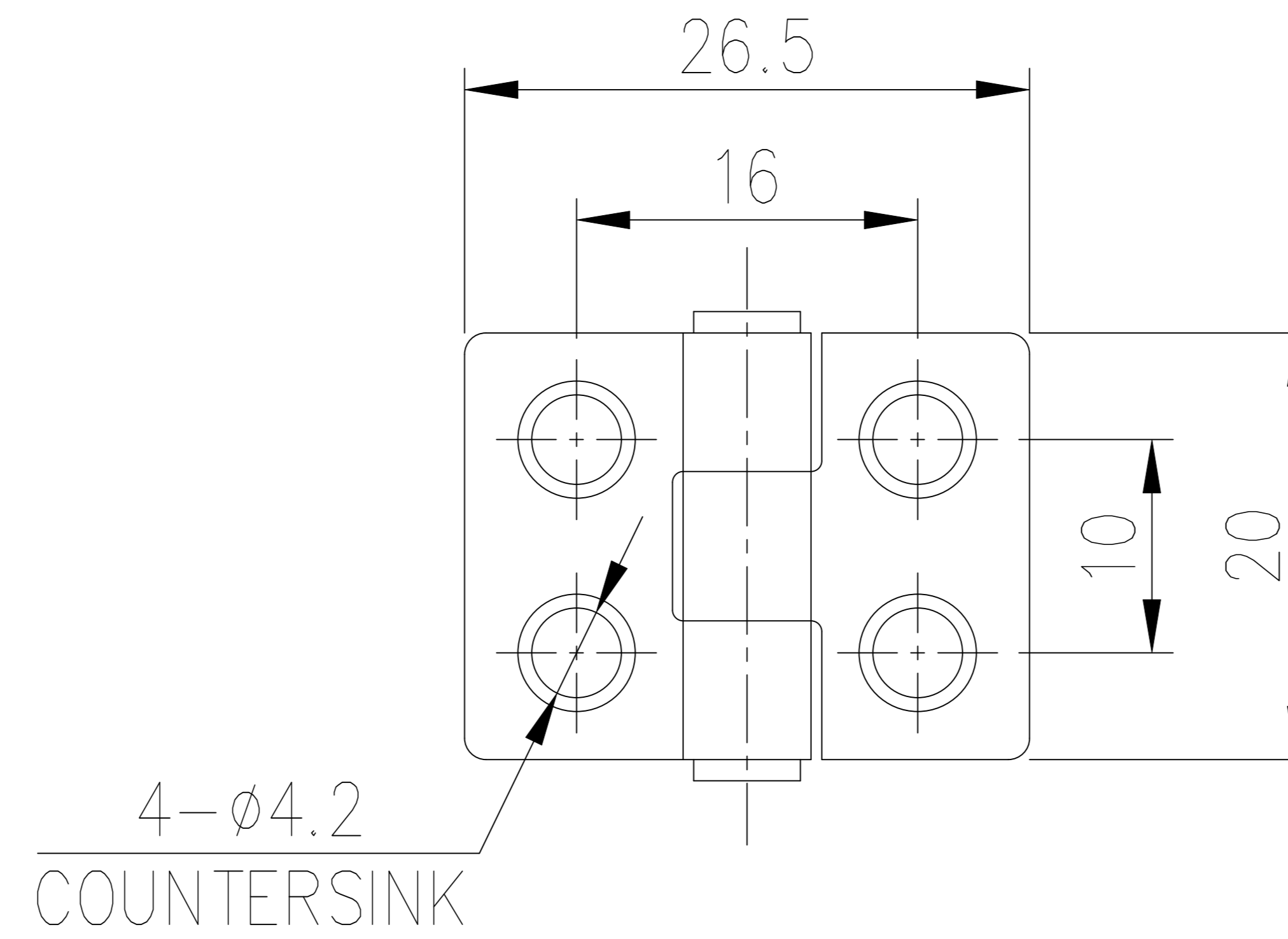


적용 도면 (Applied DRAW. No.)	
도면 번호 (DRAW. No.)	비 고 (Remarks)
1	
2	

MARK	DATE	DETAIL OF REVISION	CHECK	APP.
△				
△				

SHS-1220R



GENERAL TOLERANCE

DIVISION \ GRADE	A LEVEL	B LEVEL	C LEVEL
1-4	±0.05	±0.10	±0.25
4-6	±0.07	±0.20	±0.35
16-63	±0.10	±0.30	±0.50
63-250	±0.18	±0.55	±0.90
250-500	±0.30	±0.90	±1.50
500-1000	±0.50	±1.50	±2.50

부 품 번 Part No.		번호 No.	명 칭 Part Name		갯수 Qt'y	재 질	비 고 Remarks	
DRAWN	CHECKED	CHECKED	APPROVED	SCALE : 1/1	MODEL :			
				UNIT: MM	TITLE:			
				SIZE: A4	THIRD ANGLE PROJECTION	MODEL No.		
				DATE :	DWG No.			

A

B

C