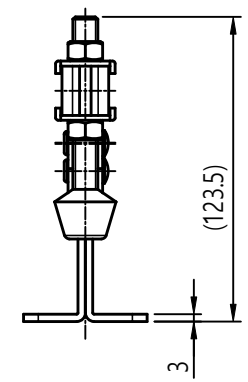
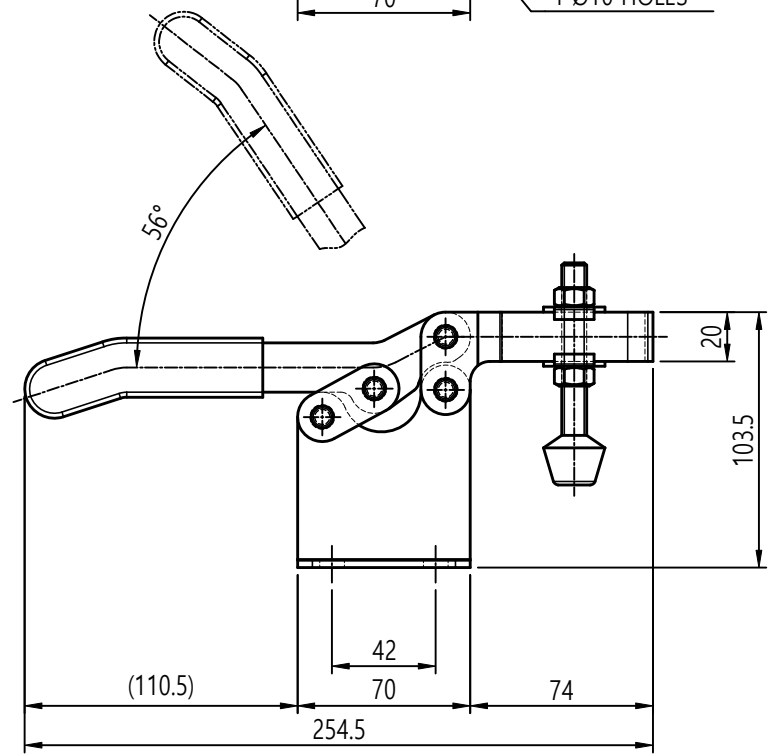
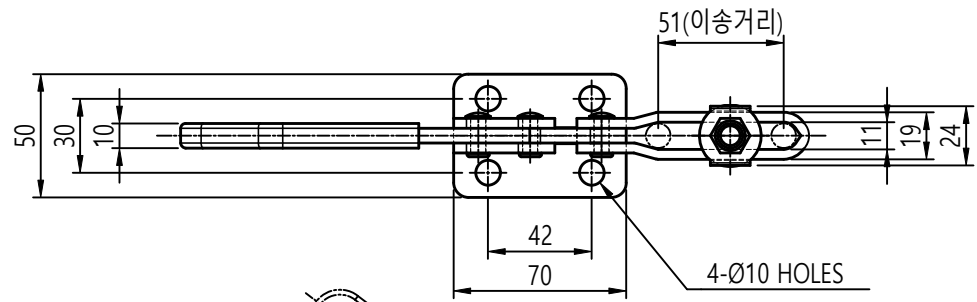


MARK	DATE	DETAIL OF REVISION	CHECK	APP.
△				

SLW040-23F



GENERAL TOLERANCE

수량	公差	A LEVEL	B LEVEL	C LEVEL
1-4	±0.07	±0.10	±0.20	±0.30
4-6	±0.07	±0.20	±0.30	±0.50
6-13	±0.10	±0.30	±0.50	±0.80
13-250	±0.15	±0.55	±0.80	±1.20
250-500	±0.30	±0.90	±1.50	±2.00
500-1000	±0.50	±1.50	±2.50	±3.50

부품번호	번호	명칭	수량	재질	비고
Part No.	No.	Part Name	Q't'y		Remarks
DRAWN		CHECKED	CHECKED	APPROVED	DATE
DATE		TITLE		BLOCK No.	
DATE		DATE		BLOCK No.	

