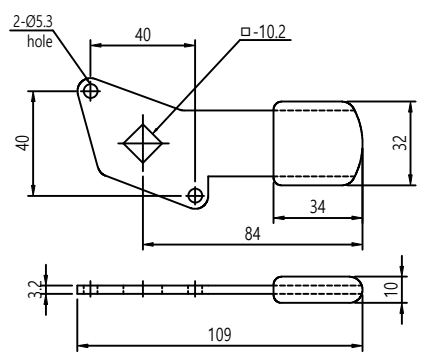
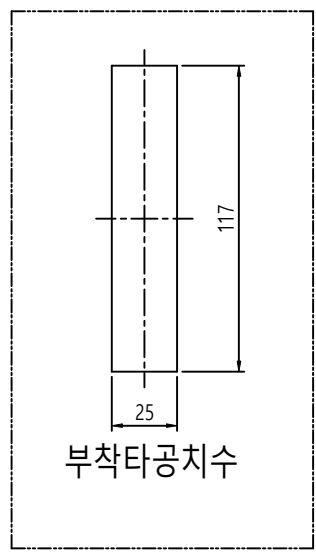
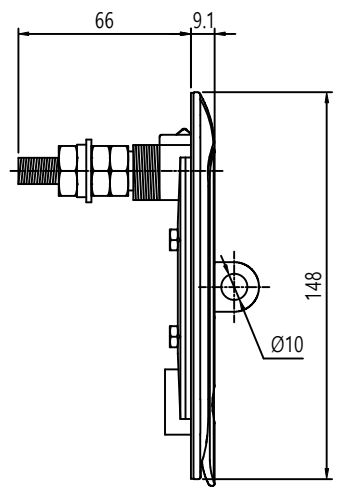
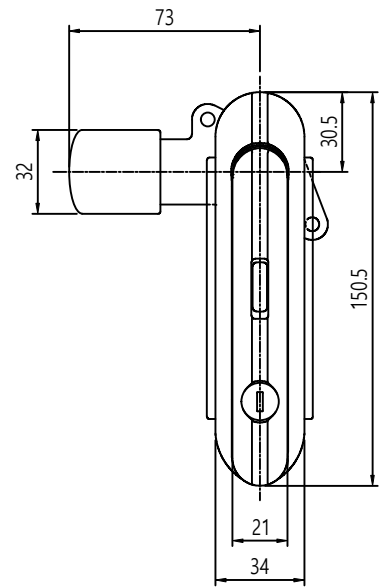


표준 치수 (Applied DIM. No.)	
표준 치수 (DIM. No.)	비고 (Remarks)

MARK	DATE	DETAIL OF REVISION	CHECK	APP.
▲				
▲				



GENERAL TOLERANCE				부품번	번호	명칭	개수	재질	비고
LEVEL	LEVEL	LEVEL	LEVEL	Part No.	No.	Part Name	Qt'y		Remarks
1-4	±0.07	±0.10	±0.15						
4-7	±0.07	±0.20	±0.25						
16-43	±0.10	±0.30	±0.50						
63-200	±0.15	±0.50	±1.00						
250-1000	±0.30	±1.00	±1.50						
1000-10000	±0.50	±1.50	±2.50						

DRAWN	CHECKED	DEIGNED	APPROVED	SCALE: 1/1	MODEL:
				DATE: A1	MODEL No.:
				DATE:	DWG No.:

SAMO