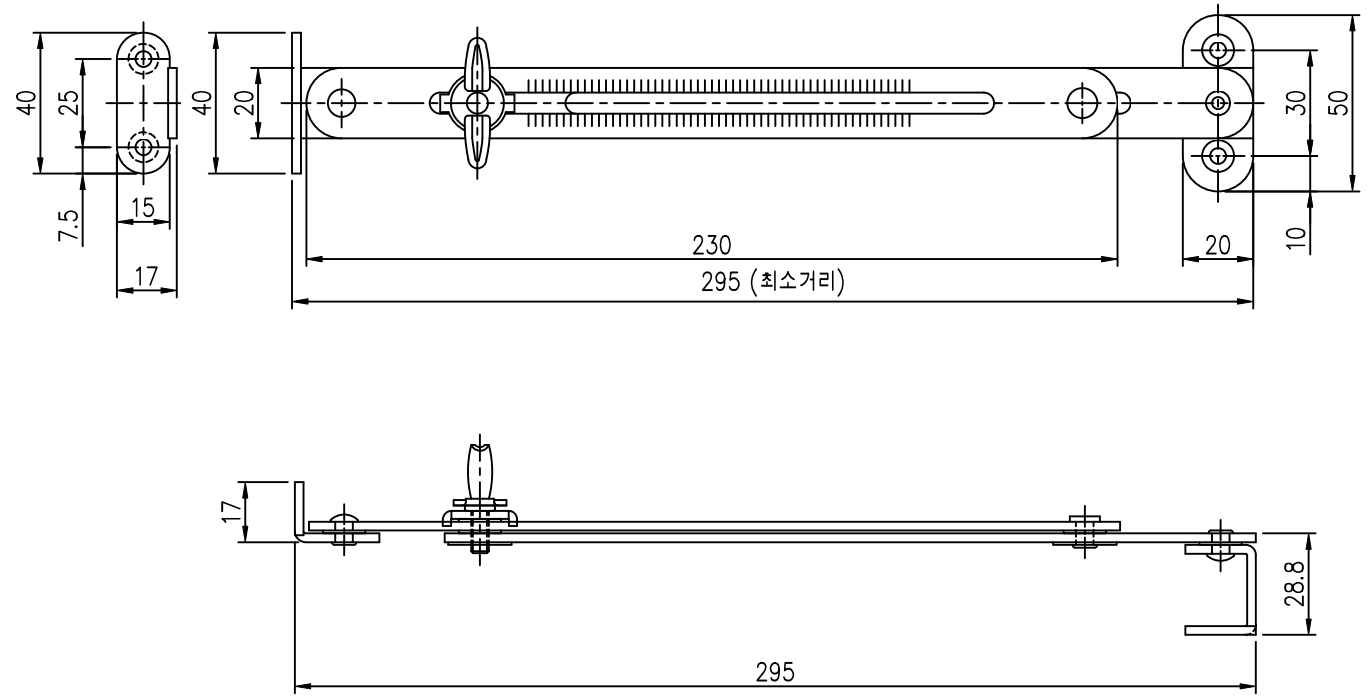


MARK	DATE	DETAIL OF REVISION	CHECK	APP.
△				

ST-13S



GENERAL TOLERANCE

수량	A LEVEL	B LEVEL	C LEVEL
1~4	±0.07	±0.10	±0.15
4~6	±0.07	±0.20	±0.25
16~63	±0.10	±0.30	±0.50
63~250	±0.15	±0.55	±1.00
250~500	±0.30	±0.80	±1.50
500~1000	±0.50	±1.50	±2.50

부품번	번호	명칭	수량	재질	비고
Part No.	No.	Part Name	Q'ty	Material	Remarks

DRAWN: [] CHECKED: [] APPROVED: []
 DATE: []
 UNIT: MM
 SCALE: 1:1
 SHEET: [] OF []
 DRAWING NO.: []
 PART NO.: []

SAMO