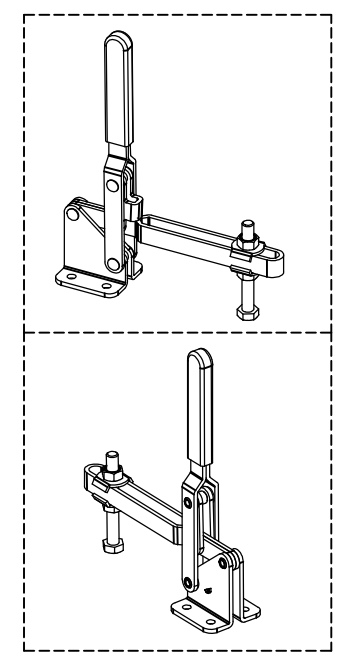
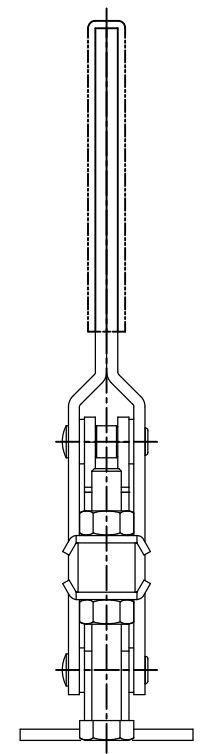
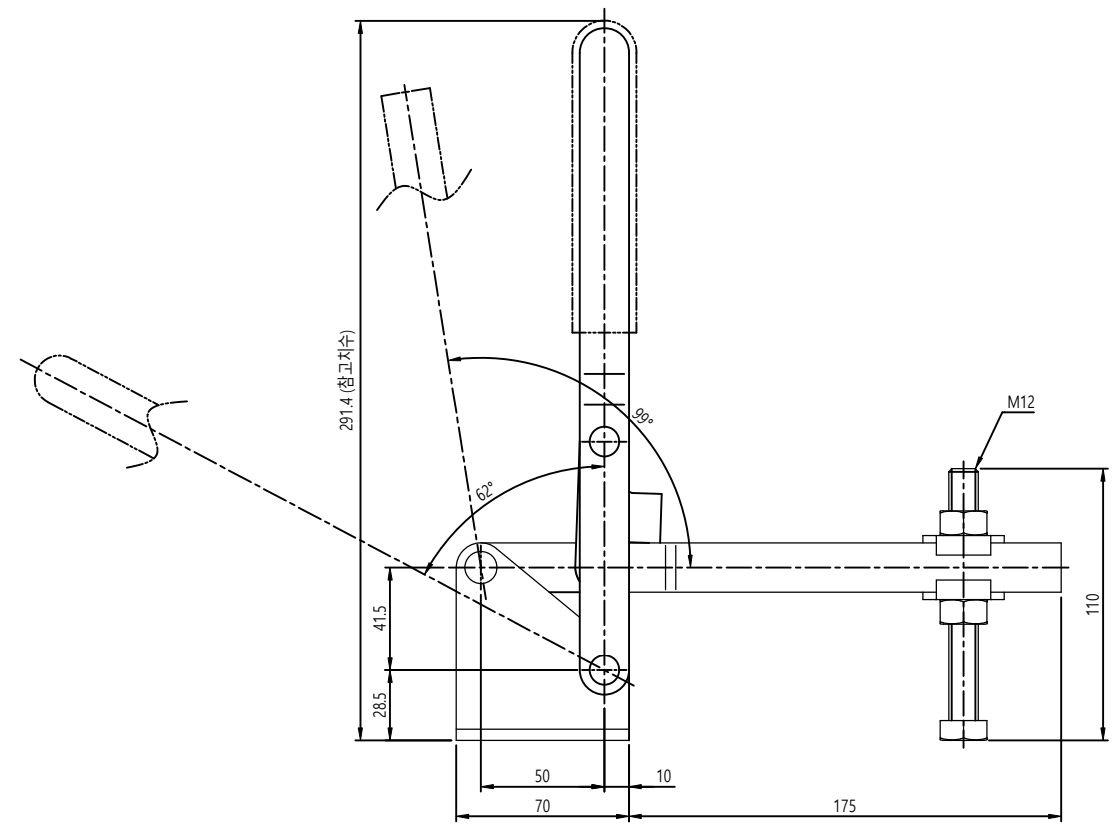
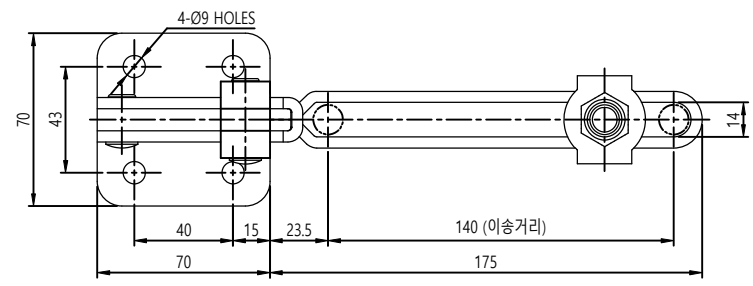


MARK	DATE	DETAIL OF REVISION	CHECK	APP.
△				

SLW045-12F



ISOMETRIC VIEW

GENERAL TOLERANCE

GRADE	A LEVEL	B LEVEL	C LEVEL
1-4	±0.07	±0.10	±0.15
4-6	±0.10	±0.20	±0.25
16-63	±0.10	±0.30	±0.50
63-250	±0.15	±0.55	±1.00
250-500	±0.30	±0.80	±1.50
500-1000	±0.50	±1.50	±3.50

Part No.	번호	Part Name	기수	재용	비고
DATE		DATE		DATE	

