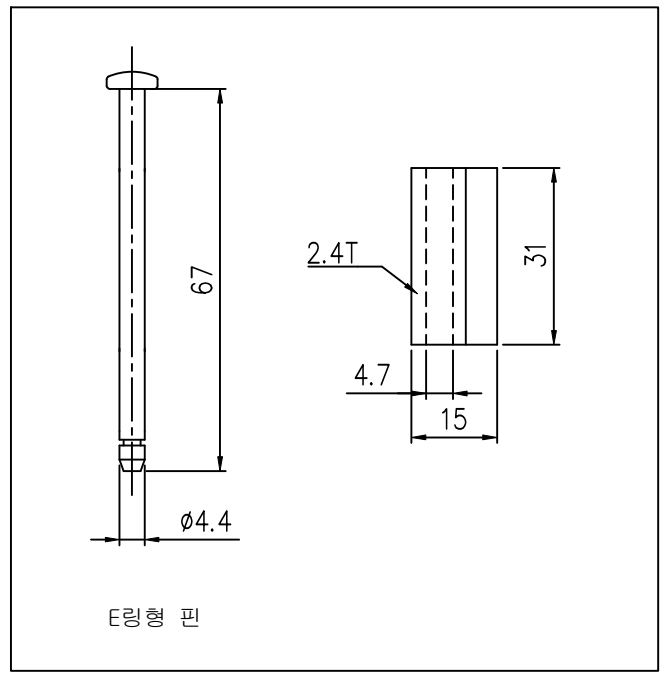
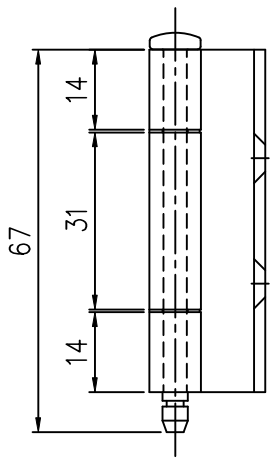
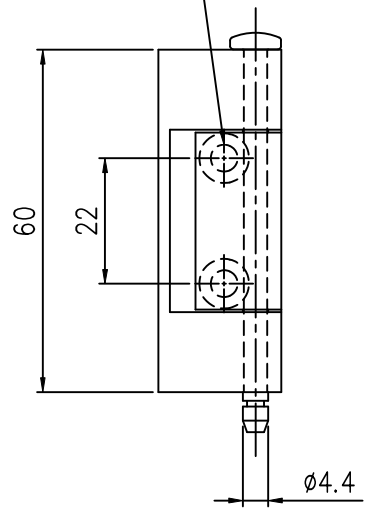


| 적용 도면 (Applied DRAW. No.) |              |
|---------------------------|--------------|
| 도면 번호 (DRAW. No.)         | 비고 (Remarks) |
| 1                         |              |
| 2                         |              |

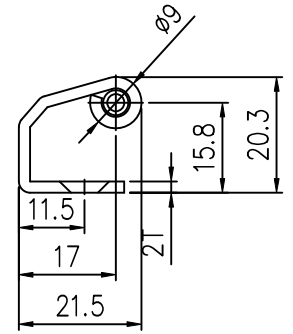
| MARK | DATE | DETAIL OF REVISION | CHECK | APP. |
|------|------|--------------------|-------|------|
| △    |      |                    |       |      |
| △    |      |                    |       |      |

# SHABS-39T

2- $\phi$ 4.7 countersink hole



어링형 핀



### GENERAL TOLERANCE

| DIVISION | GRADE | A LEVEL    | B LEVEL    | C LEVEL    |
|----------|-------|------------|------------|------------|
| 1-4      |       | $\pm 0.05$ | $\pm 0.10$ | $\pm 0.25$ |
| 4-6      |       | $\pm 0.07$ | $\pm 0.20$ | $\pm 0.35$ |
| 16-63    |       | $\pm 0.10$ | $\pm 0.30$ | $\pm 0.50$ |
| 63-250   |       | $\pm 0.18$ | $\pm 0.55$ | $\pm 0.90$ |
| 250-500  |       | $\pm 0.30$ | $\pm 0.90$ | $\pm 1.50$ |
| 500-1000 |       | $\pm 0.50$ | $\pm 1.50$ | $\pm 2.50$ |

|                 |           |                 |            |             |               |
|-----------------|-----------|-----------------|------------|-------------|---------------|
| 부품번<br>Part No. | 번호<br>No. | 명칭<br>Part Name | 갯수<br>Qt'y | 재질          | 비고<br>Remarks |
| DRAWN           | CHECKED   | CHECKED         | APPROVED   | SCALE : 1/1 | MODEL :       |
|                 |           |                 |            | UNIT : MM   | TITLE :       |
|                 |           |                 |            | SIZE : A3   | MODEL No.     |
| DATE :          |           |                 |            | DWG No.     |               |

1  
2  
3

1  
2  
3

A B C D