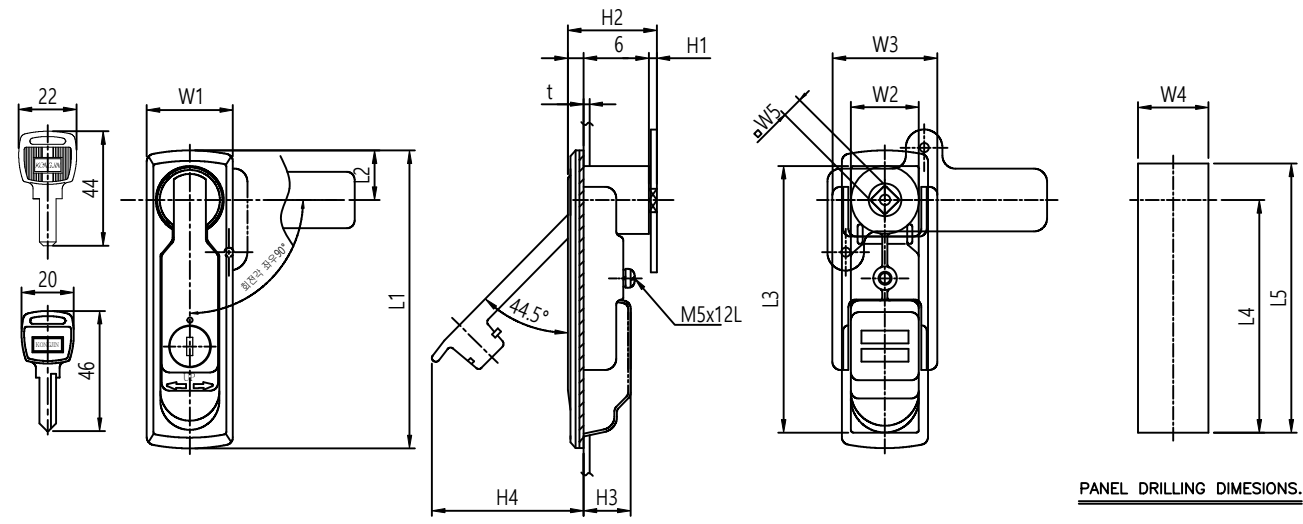


표준 도면 (Applied DIM. No.)	비고 (Remarks)
1	
2	

MARK	DATE	DETAIL OF REVISION	CHECK	APP.
▲				



R200 KEY	L1	L2	L3	L4	L5	H1	H2	H3	H4	W1	W2	W3	W4	W5	Net weight(g)
SBH-HF-88-1KB	114	19	102	89	103	3	34	18	58	33	26	40	27	8	275
SBH-HF-88-1KC	114	19	102	89	103	3	34	18	58	33	26	40	27	8	275
SBH-HF-88-2KB	128	19	116	102	117	3	34	18	65	33	26	40	27	8	335
SBH-HF-88-2KC	128	19	116	102	117	3	34	18	65	33	26	40	27	8	335
SBH-HF-88-3KB	153	22	140	125	141	6	40	20	84	38	29	47	30	10	478
SBH-HF-88-3KC	153	22	140	125	141	6	40	20	84	38	29	47	30	10	478

GENERAL TOLERANCE

LEVEL	1	2	3
±	0.07	0.10	0.15
0.1-0.3	0.07	0.10	0.15
0.3-1.0	0.10	0.15	0.20
1.0-10.0	0.15	0.20	0.30

부품명 Part No.	번호 No.	명칭 Part Name	개수 Q't'y	재질	비고 Remarks

SAMO

DATE: / /