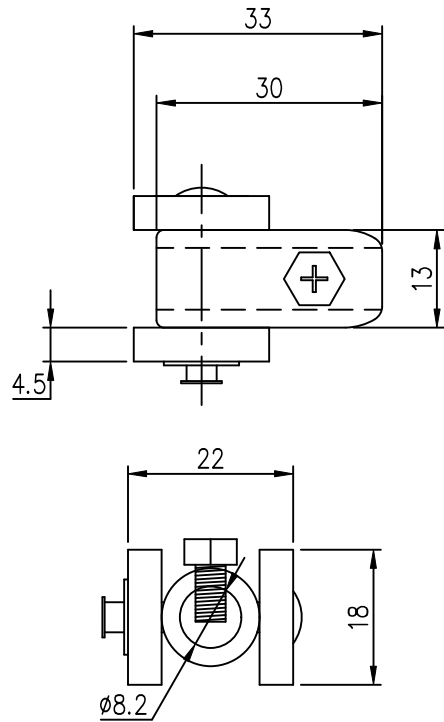


A		B		C		
적용 도면 (Applied DRAW. No.)		MARK	DATE	DETAIL OF REVISION	CHECK	APP.
	도면 번호 (DRAW. No.)	비 고 (Remarks)	△			
1			△			
2						



GENERAL TOLERANCE

DIVISION	GRADE	A LEVEL	B LEVEL	C LEVEL
		1-4	±0.05	±0.10
4-6	±0.07	±0.20	±0.35	
16-63	±0.10	±0.30	±0.50	
63-250	±0.18	±0.55	±0.90	
250-500	±0.30	±0.90	±1.50	
500-1000	±0.50	±1.50	±2.50	

부 품 번 Part No.	번호 No.	명 칭 Part Name	갯수 Qt'y	재 질	비 고 Remarks
DRAWN	CHECKED	CHECKED	APPROVED	SCALE : 1/1	MODEL :
				UNIT : MM	TITLE :
				SIZE : A4	MODEL No.
				DATE :	DWG No.

A

B

C