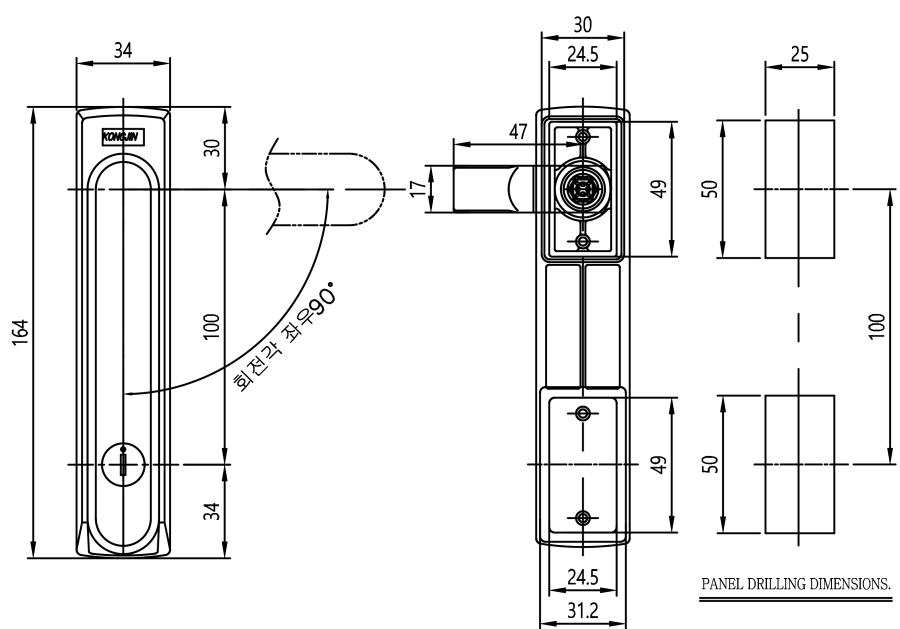
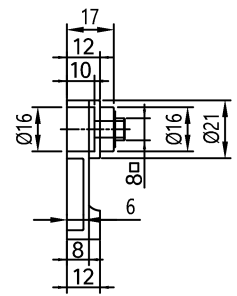


작성 (App) and DRAW. No.	
1	비고 (Remarks)
2	

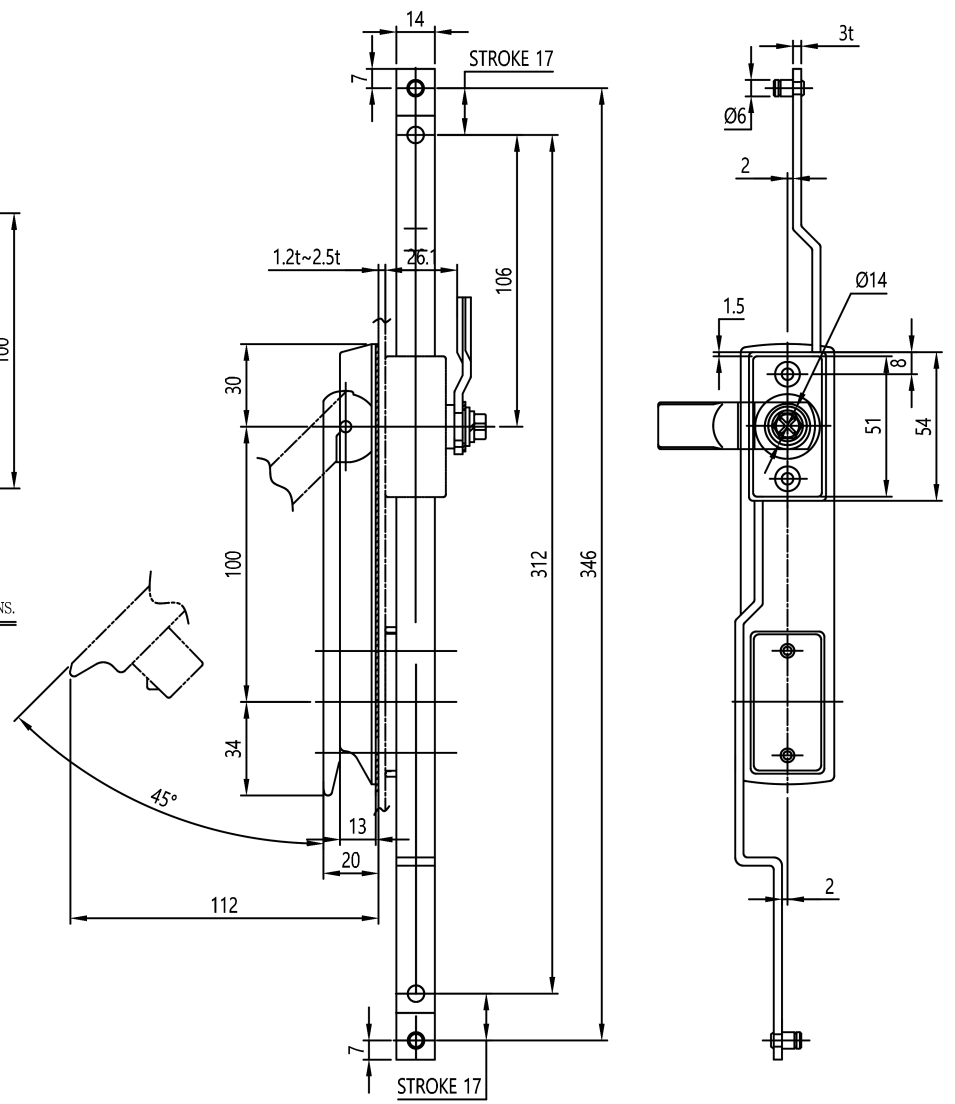
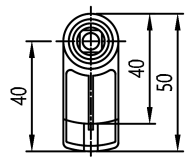
MARK	DATE	DETAIL OF REVISION	CHECK	APP.
▲				



PANEL DRILLING DIMENSIONS.



3 POINT LOCK HANDLE



SBH-KA606-1KC

GENERAL TOLERANCE			
GRADE	A LEVEL	B LEVEL	C LEVEL
1-4	±0.07	±0.10	±0.20
4-6	±0.07	±0.20	±0.25
10-13	±0.10	±0.30	±0.50
16-25	±0.15	±0.55	±0.80
29-50	±0.20	±0.90	±1.50
50-100	±0.30	±1.50	±2.50

부품 번호 (Part No.)	번호 (No.)	명칭 (Part Name)	갯수 (Qt'y)	재질 (Material)	비고 (Remarks)
DRAWN		CHECKED	APPROVED	SCALE: 1/1	MODEL:
DATE:		DATE:		MODEL No.:	
DATE:		DATE:		DWG No.:	

