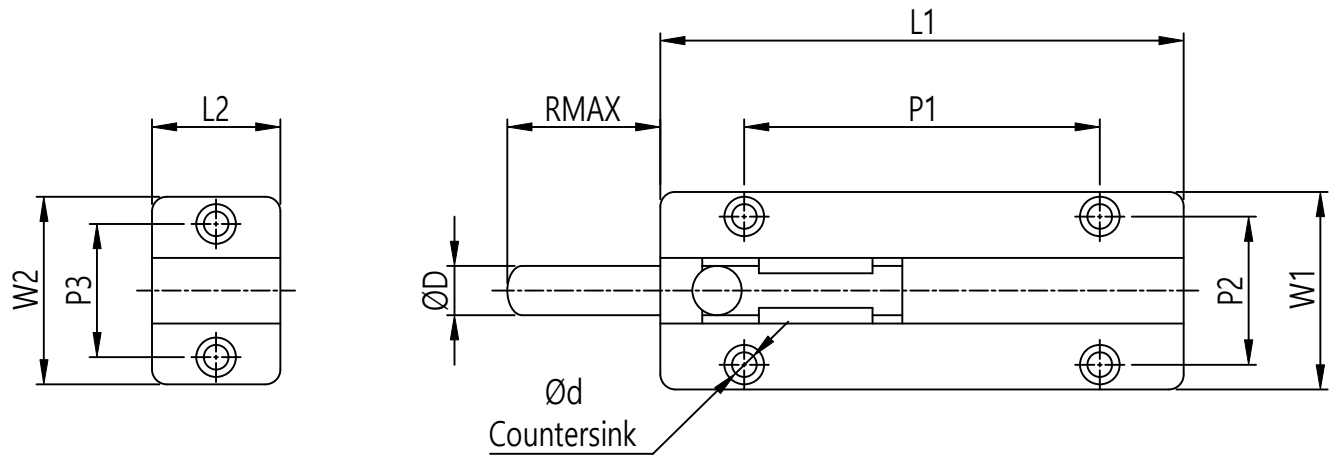


작성 일자 (Asst Issd Date, No.)	
작성 번호 (Draw. No.)	

MARK	DATE	DETAIL OF REVISION	CHECK	APP.



제품명	L1	L2	P1	P2	P3	H1	H2	W1	W2	øD	ød	RMAX
SODSS-D75	60	20	40	19.5	20	22.5	11	29.5	30.5	7	3.5	15
SODSS-D100	85	20	65	20	21	22.5	11	30.5	31	7	3.5	19
SODSS-D125	106	26	72	29	27	28.5	16	39.5	38	10	5	31

수량	公差	公差	公差	公差
1-4	公差	公差	公差	公差
1-4	±0.07	±0.10	±0.07	±0.07
4-6	±0.07	±0.20	±0.07	±0.07
16-63	±0.10	±0.30	±0.10	±0.10
63-250	±0.15	±0.55	±0.15	±0.15
250-500	±0.20	±0.80	±0.20	±0.20
500-1000	±0.30	±1.50	±0.30	±0.30

부품번호	번호	명칭	수량	재질	비고
Part No.	No.	Part Name	Q't'y		Remarks
DATE					

DRAWN
 CHECKED
 CHECKED
 APPROVED
 SCALE: 1/1
 TITLE:
 DATE: A1
 MODEL No.:
 DATE: 199 No.:

