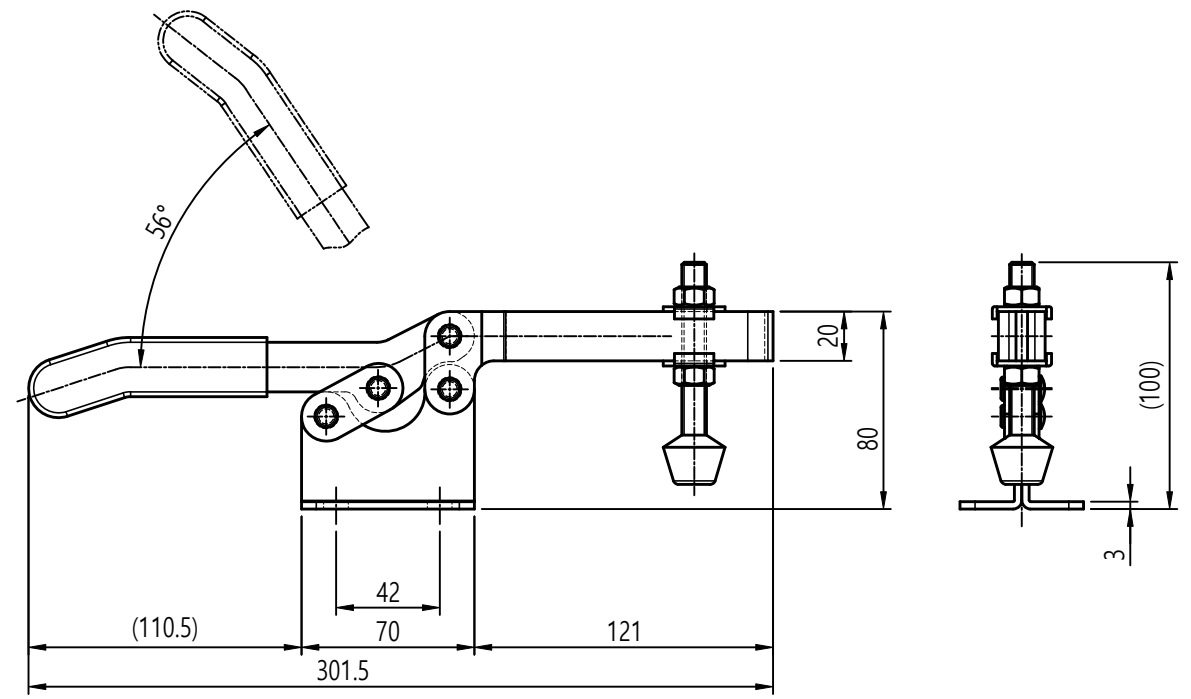
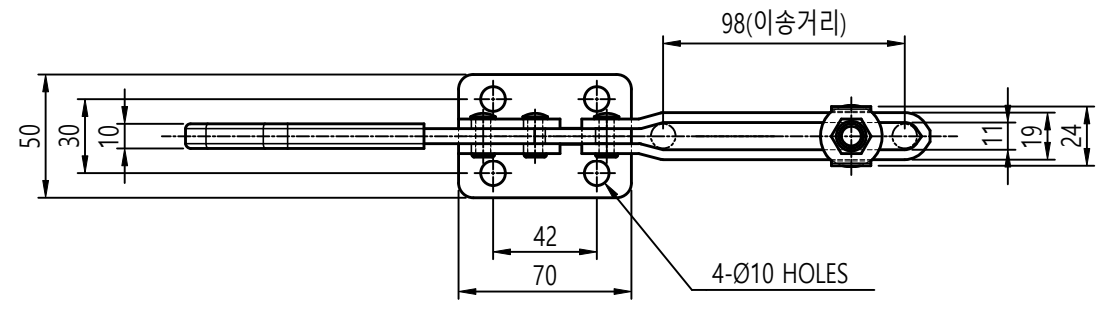


MARK	DATE	DETAIL OF REVISION	CHECK	APP.
△				

SLW040-22F



GENERAL TOLERANCE

수량	A LEVEL	B LEVEL	C LEVEL
1-4	±0.07	±0.10	±0.12
4-6	±0.07	±0.20	±0.25
6-16	±0.10	±0.30	±0.50
63-250	±0.15	±0.55	±1.00
250-500	±0.30	±0.90	±1.50
500-1000	±0.50	±1.50	±2.50

부품번	번호	명칭	수량	재질	비고
Part No.	No.	Part Name	Q't'y		Remarks
SWMM	CHECKED	CHECKED	APPROVED	DATE	SIGNATURE
			TITLE		
			SCALE		
			BLOCK No.		
			DATE		
			DWG No.		

