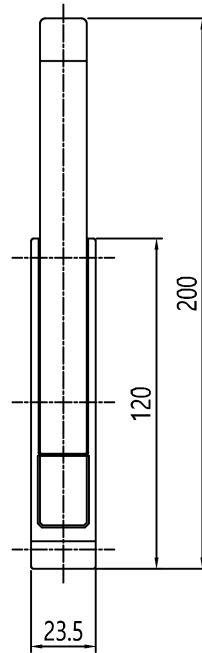
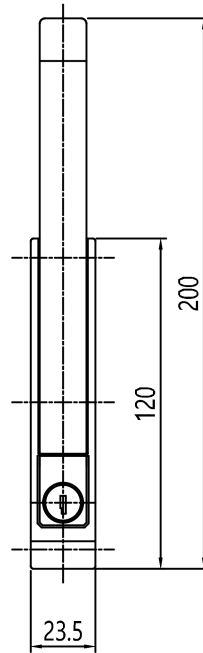


작성 도면 (App) and DSW. No.	
도면 번호 (DSW. No.)	비고 (Remarks)
1	
2	

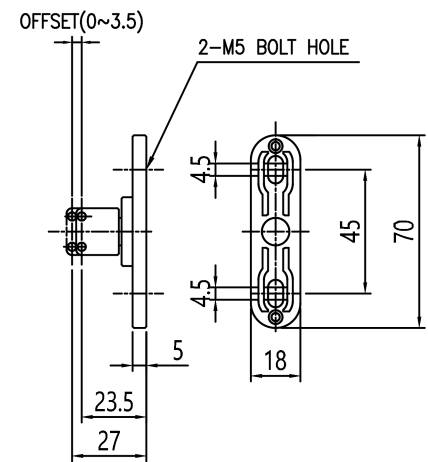
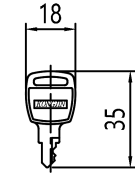
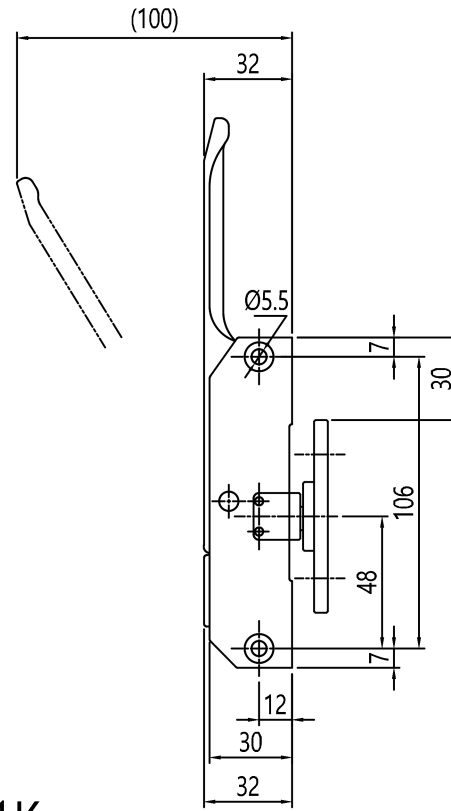
MARK	DATE	DETAIL OF REVISION	CHECK	APP.
▲				



SMHD-KA901



SMHD-KA901-1K



GENERAL TOLERANCE			
GRADE	A LEVEL	B LEVEL	C LEVEL
1-4	±0.07	±0.10	±0.20
4-6	±0.07	±0.20	±0.25
10-13	±0.10	±0.30	±0.50
16-25	±0.15	±0.55	±1.00
250-500	±0.30	±0.90	±1.50
500-1000	±0.50	±1.50	±2.50

부품번 Part No.	번호 No.	명칭 Part Name	갯수 Qt'y	재질	비고 Remarks

SCALE: 1/1	MODEL:
UNIT:	TITLE:
SIZE: AT	MODEL No.:
DATE:	DWG No.:

