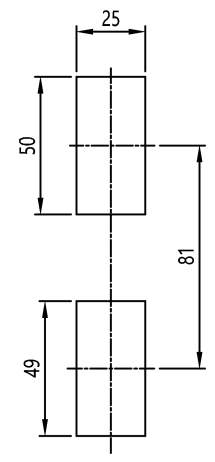
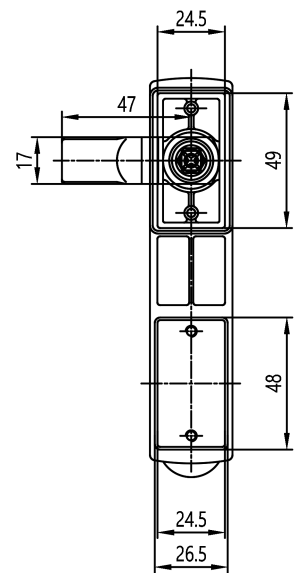
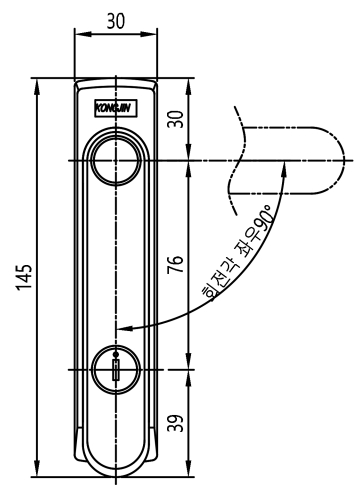
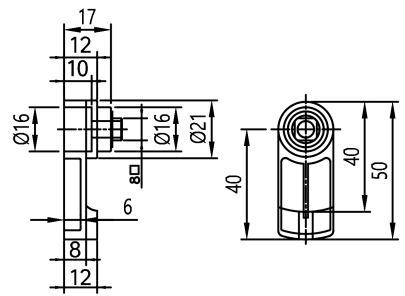
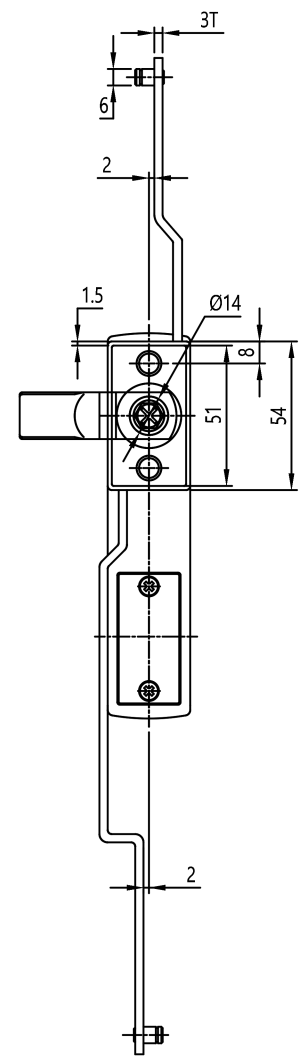
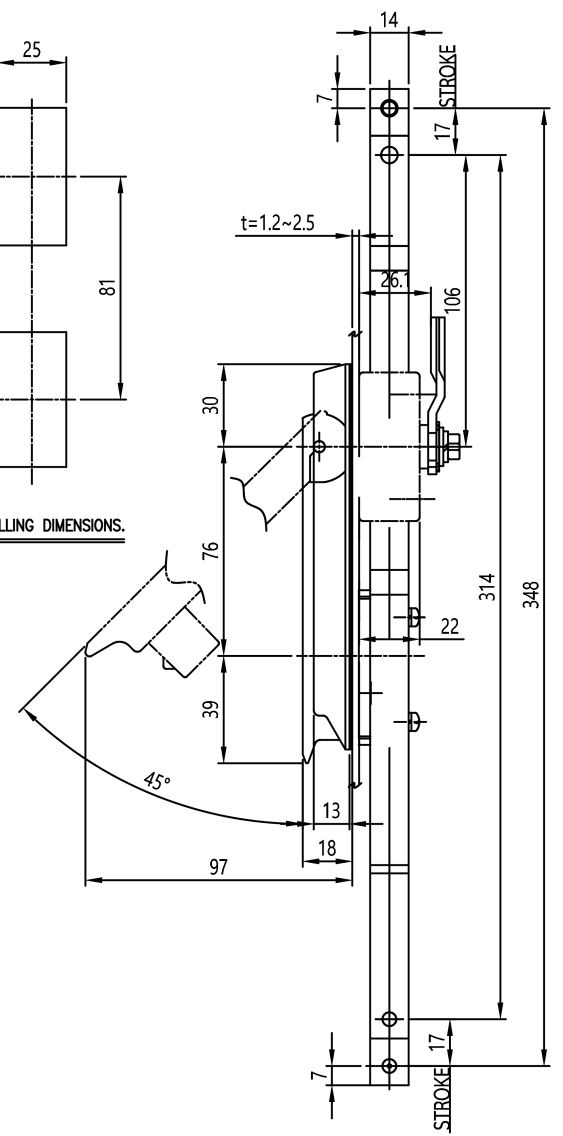


1	작성 (App) and DRAW. No.	비고 (Remarks)
2	도면 번호 (DRAW. No.)	

MARK	DATE	DETAIL OF REVISION	CHECK	APP.
▲				



PANEL DRILLING DIMENSIONS.



3 POINT LOCK HANDLE

SBH-KA606-2KC

GENERAL TOLERANCE			
GRADE	A LEVEL	B LEVEL	C LEVEL
1-4	±0.07	±0.10	±0.20
4-6	±0.07	±0.20	±0.35
10-13	±0.10	±0.30	±0.50
16-25	±0.15	±0.55	±0.80
29-50	±0.30	±0.90	±1.50
50-100	±0.50	±1.50	±2.50

부품명 Part No.	번호 No.	명칭 Part Name	갯수 Qt'y	재질 Material	비고 Remarks
DRAWN		CHECKED	CHECKED	APPROVED	SCALE: 1/1
DATE:		DATE:		MODEL No.	TITLE:
SIZE: AT		DATE:		MODEL No.	TITLE:
DATE:		DATE:		MODEL No.	TITLE:

