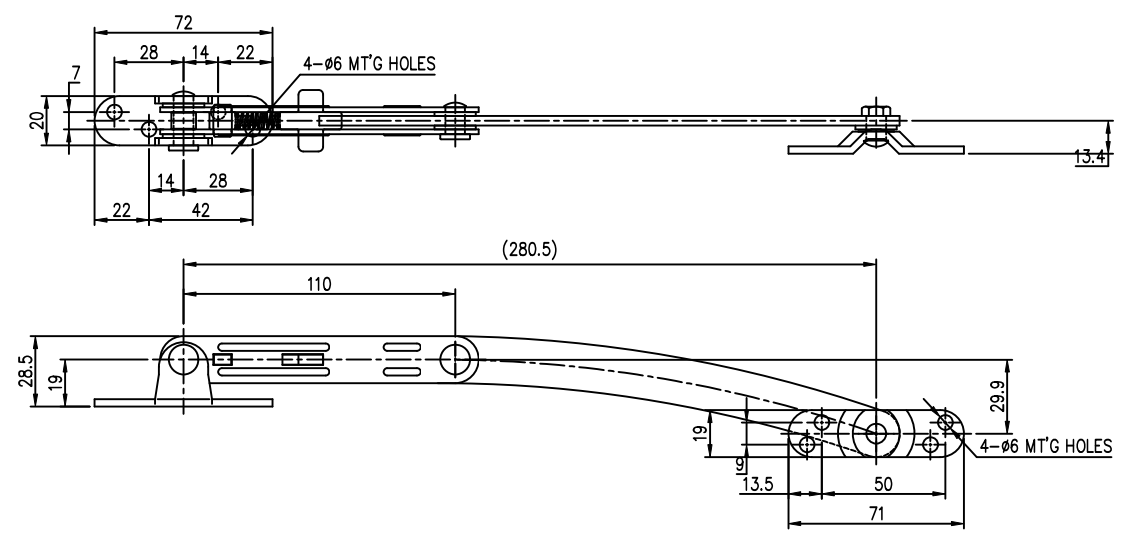


MARK	DATE	DETAIL OF REVISION	CHECK	APP.
△				

ST-8-1



GENERAL TOLERANCE

SIZE	A LEVEL	B LEVEL	C LEVEL
1-4	±0.07	±0.10	±0.20
4-6	±0.07	±0.20	±0.25
16-63	±0.10	±0.30	±0.50
63-250	±0.15	±0.55	±1.00
250-500	±0.30	±0.80	±1.50
500-1000	±0.50	±1.50	±2.50

Part No.	No.	Part Name	갯수	재용	비고
			Q1'y		Remarks
SWMM	CHECKED	CHECKED	APPROVED	DATE	INITIAL
				MM	
DATE			DWG No.		

