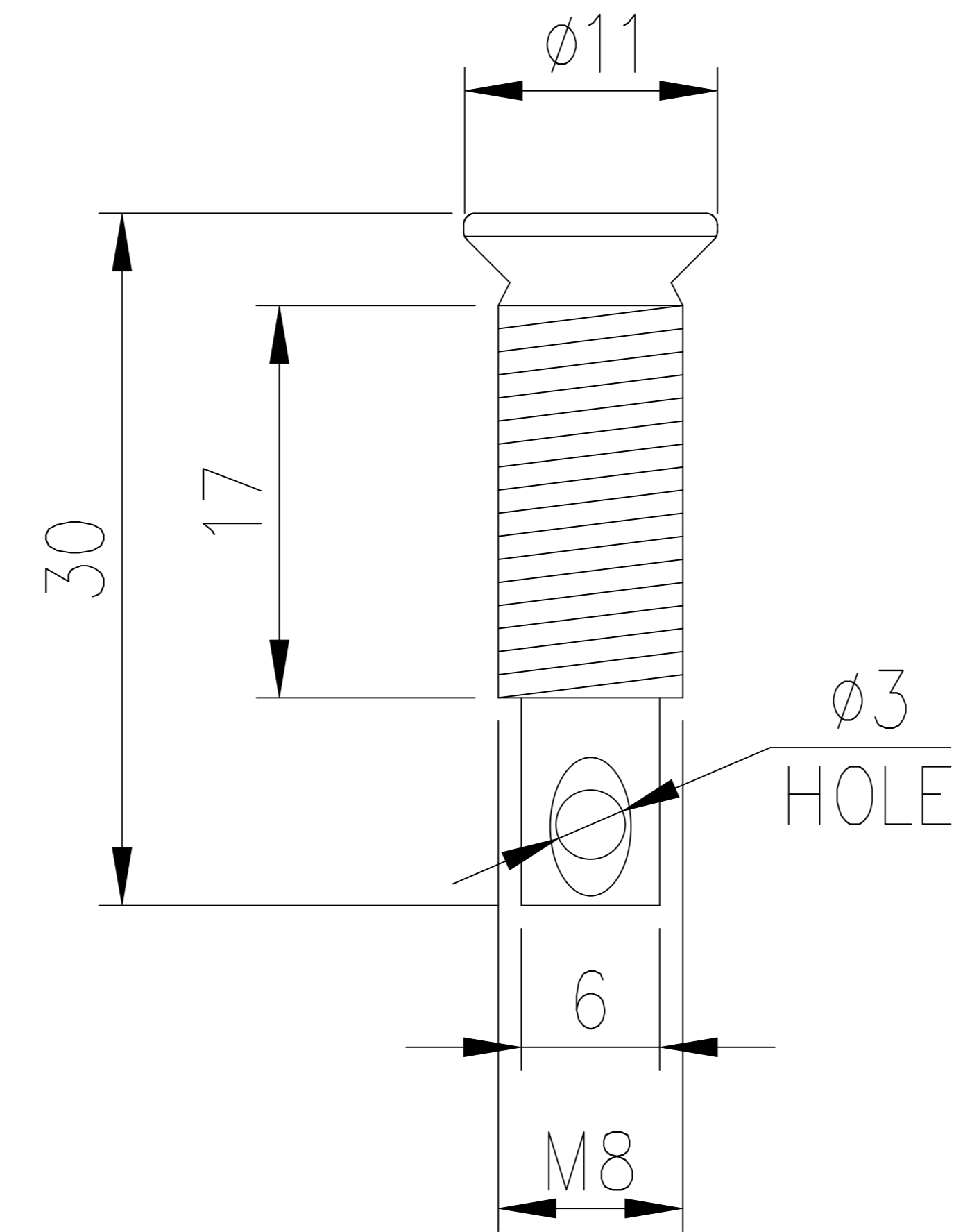
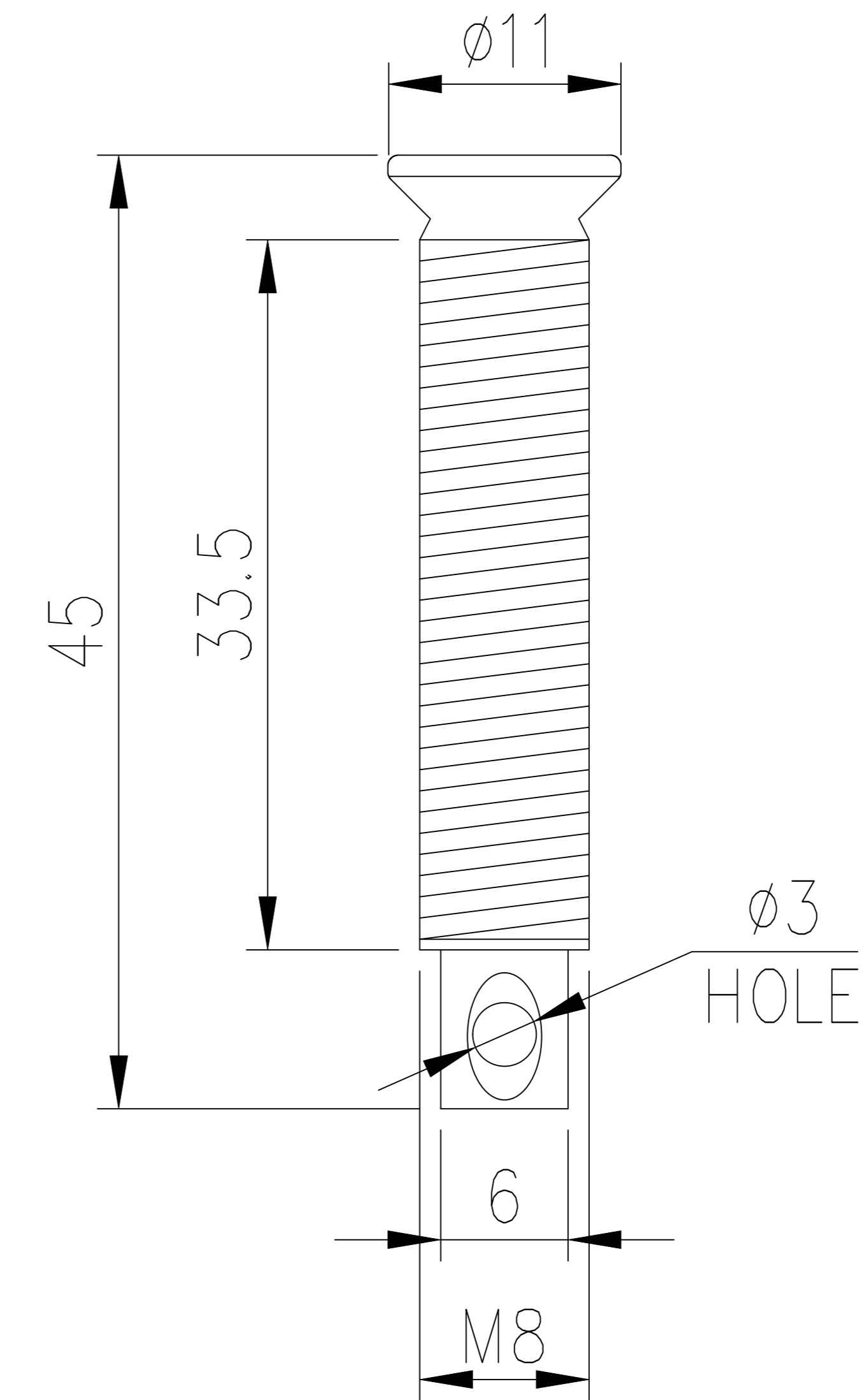


A	
적용 도면 (Applied DRAW. No.)	
도면 번호 (DRAW. No.)	비 고 (Remarks)
1	
2	

B		C	
MARK	DATE	DETAIL OF REVISION	CHECK APP.
△			
△			




SBNS-B830



SBNS-B845

GENERAL TOLERANCE

GRADE	A LEVEL	B LEVEL	C LEVEL
1-4	±0.05	±0.10	±0.25
4-6	±0.07	±0.20	±0.35
16-63	±0.10	±0.30	±0.50
63-250	±0.18	±0.55	±0.90
250-500	±0.30	±0.90	±1.50
500-1000	±0.50	±1.50	±2.50

부 품 번 Part No.	번호 No.	명 칭 Part Name	갯수 Qt 'y	재 질	비 고 Remarks
DRAWN	CHECKED	CHECKED	APPROVED	SCALE : 1 / 1	MODEL :
				UNIT: MM	TITLE:
				SIZE: A4	THIRD ANGLE PROJECTION
DATE :				DWG No.	

A

B

C