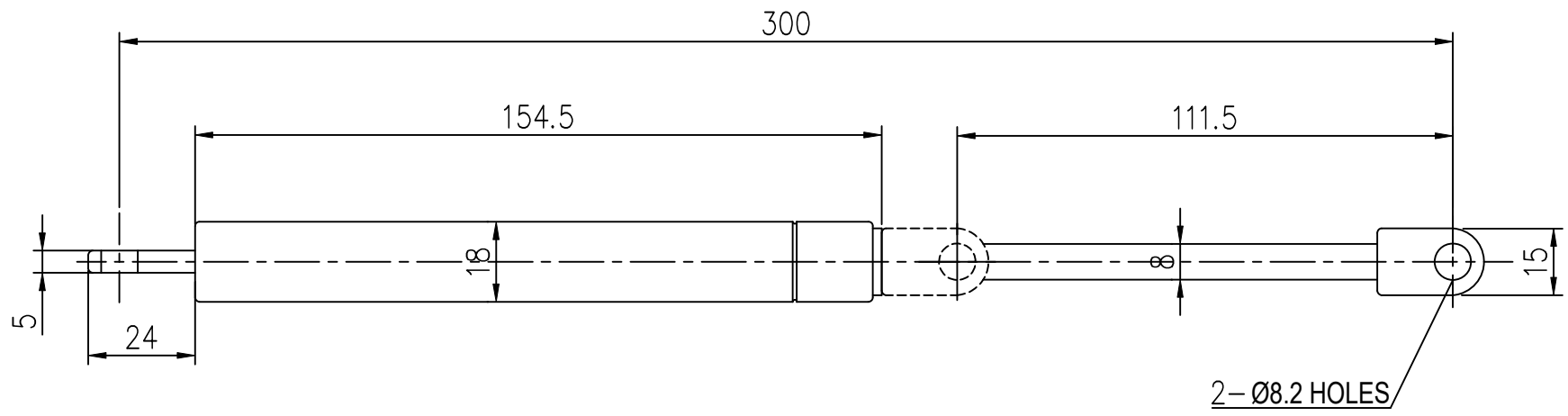


MARK	DATE	DETAIL OF REVISION	CHECK	APP.
▲				

SGS-300 Series



QTY	MIN	MAX	A LEVEL	B LEVEL	C LEVEL
1-4	±0.07	±0.10	±0.07		
4-6	±0.07	±0.20	±0.07		
16-63	±0.10	±0.30	±0.07		
63-250	±0.10	±0.55	±0.10		
250-500	±0.30	±0.90	±0.30		
500-1000	±0.50	±1.50	±0.50		

Part No.	No.	Part Name	수량	재질	비고
			Q'ty	Material	Remarks

DRAWN: _____ CHECKED: _____ APPROVED: _____
 UNIT: MM
 SCALE: _____
 DATE: _____

