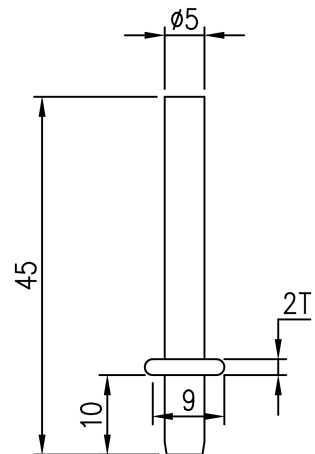


A 적용 도면 (Applied DRAW. No.)		B MARK		C CHECK		APP.	
	도면 번호 (DRAW. No.)		DATE	DETAIL OF REVISION			
1							
2							



GENERAL TOLERANCE

DIVISION	GRADE	A LEVEL	B LEVEL	C LEVEL
1-4		±0.05	±0.10	±0.25
4-6		±0.07	±0.20	±0.35
16-63		±0.10	±0.30	±0.50
63-250		±0.18	±0.55	±0.90
250-500		±0.30	±0.90	±1.50
500-1000		±0.50	±1.50	±2.50

부 품 번 Part No.		번호 No.	명 칭 Part Name		갯수 Qt'y	재 질	비 고 Remarks
DRAWN	CHECKED	CHECKED	APPROVED	SCALE : 1 / 1	MODEL :		
				UNIT : MM	TITLE :		
				SIZE : A4	MODEL No.		
				DATE :	DWG No.		

A

B

C