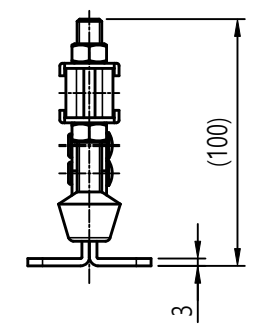
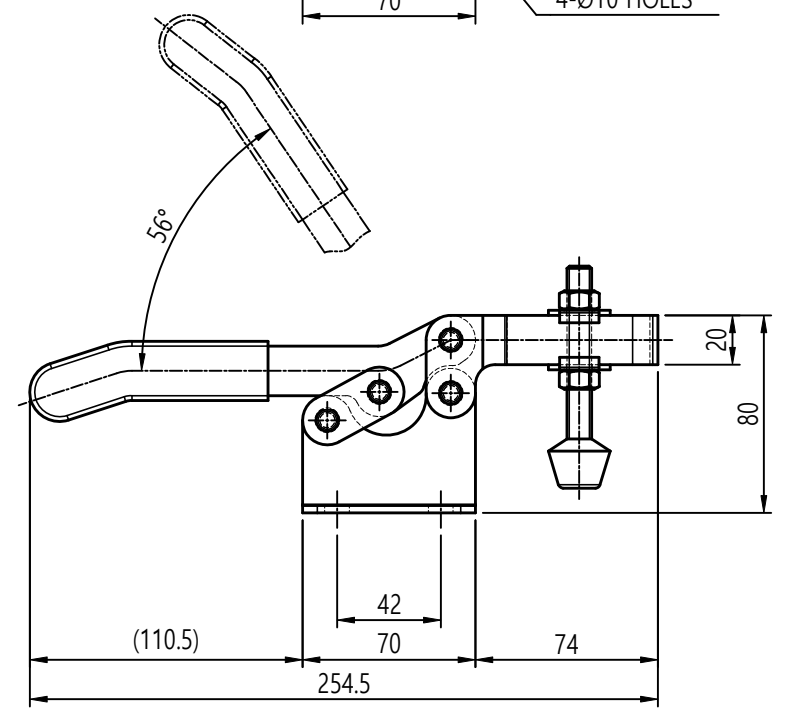
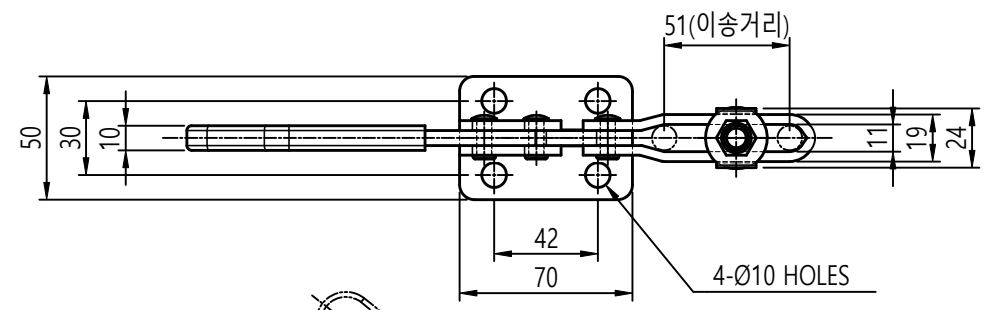


| MARK | DATE | DETAIL OF REVISION | CHECK | APP. |
|------|------|--------------------|-------|------|
| △    |      |                    |       |      |

SLW040-21F



GENERAL TOLERANCE

| 수량       | A LEVEL | B LEVEL | C LEVEL |
|----------|---------|---------|---------|
| 1-4      | ±0.07   | ±0.10   | ±0.12   |
| 4-6      | ±0.07   | ±0.20   | ±0.25   |
| 63-250   | ±0.10   | ±0.55   | ±0.70   |
| 250-500  | ±0.30   | ±0.80   | ±1.30   |
| 500-1000 | ±0.50   | ±1.50   | ±2.50   |

| 부품번      | 번호  | 명칭        | 갯수        | 재질      | 비고       |
|----------|-----|-----------|-----------|---------|----------|
| Part No. | No. | Part Name | Q'ty      | Mat'l   | Remarks  |
|          |     |           |           |         |          |
| DRAWN    |     |           | CHECKED   | CHECKED | APPROVED |
| DATE     |     |           | TITLE     |         |          |
| DATE     |     |           | SCALE     |         |          |
| DATE     |     |           | BLOCK No. |         |          |
| DATE     |     |           | DWG No.   |         |          |

