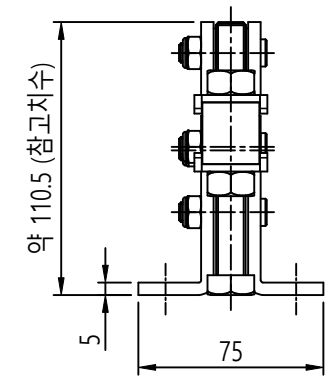
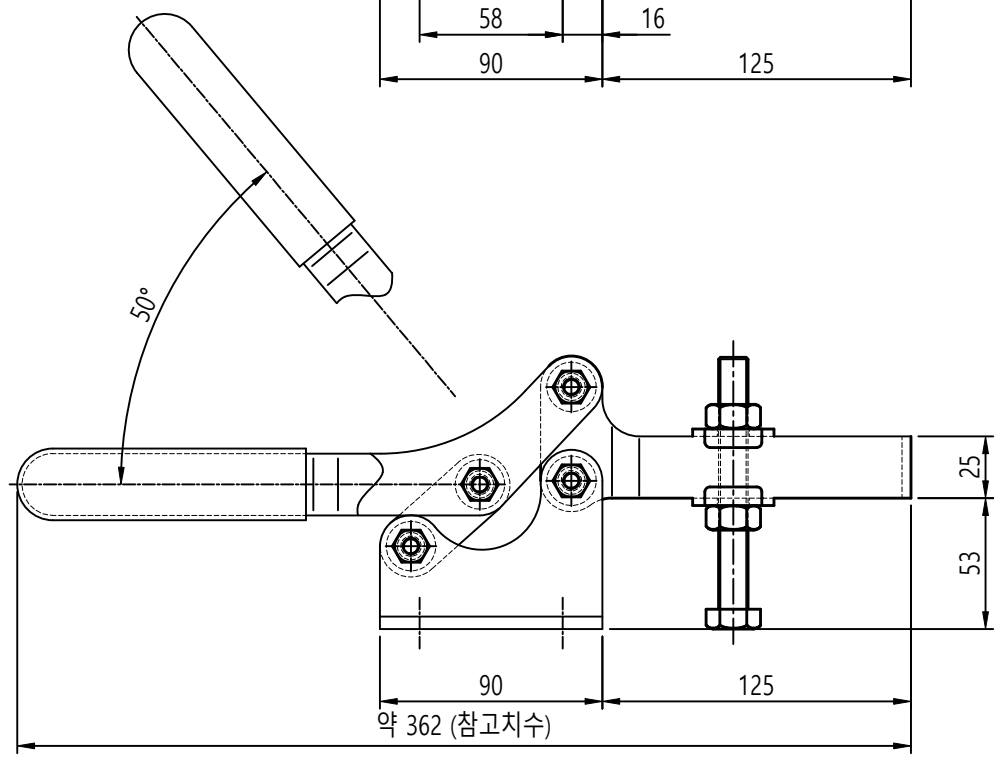
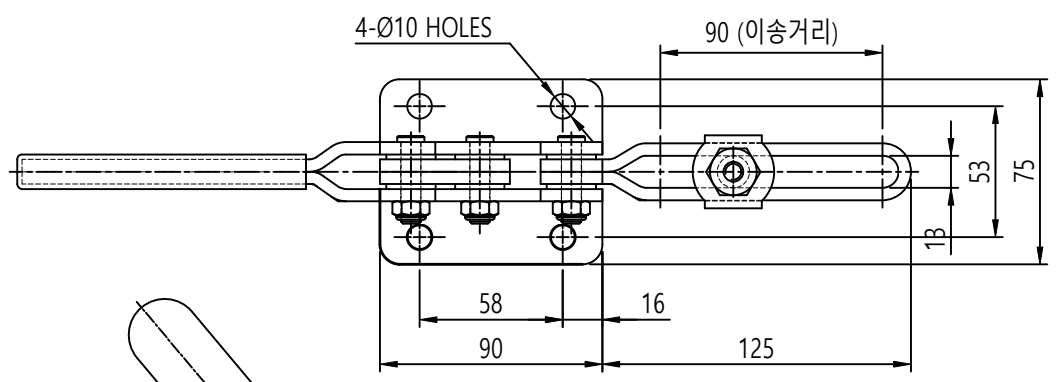


MARK	DATE	DETAIL OF REVISION	CHECK	APP.
△				

SLW065-22F



GENERAL TOLERANCE

SIZE	A LEVEL	B LEVEL	C LEVEL
1-4	±0.07	±0.10	±0.20
4-6	±0.07	±0.20	±0.25
16-63	±0.10	±0.30	±0.50
63-250	±0.15	±0.55	±1.00
250-500	±0.30	±0.90	±1.50
500-1000	±0.50	±1.50	±2.50

Part No.	No.	Part Name	Q't'y	재용	비고

SWM  CHECKED  CHECKED  APPROVED  DATE: / /  DRAWN: / /  TITLE:   
 DATE: / /  MODEL No.:    
 DATE: / /  DWG No.:

**SAMO**