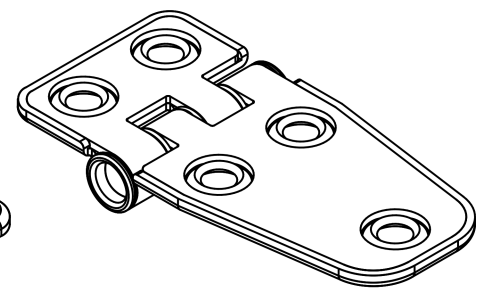
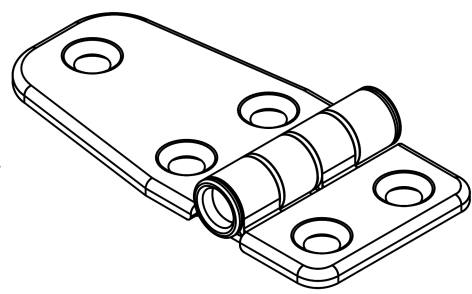
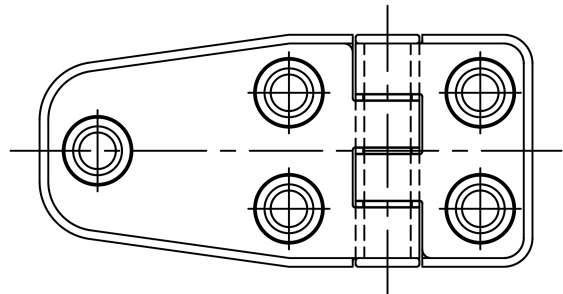
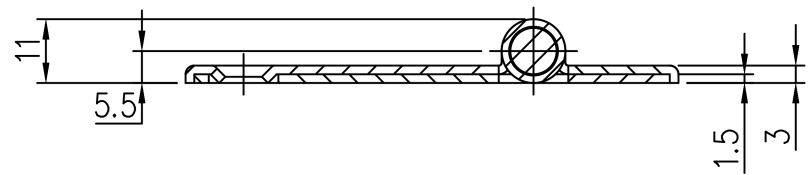
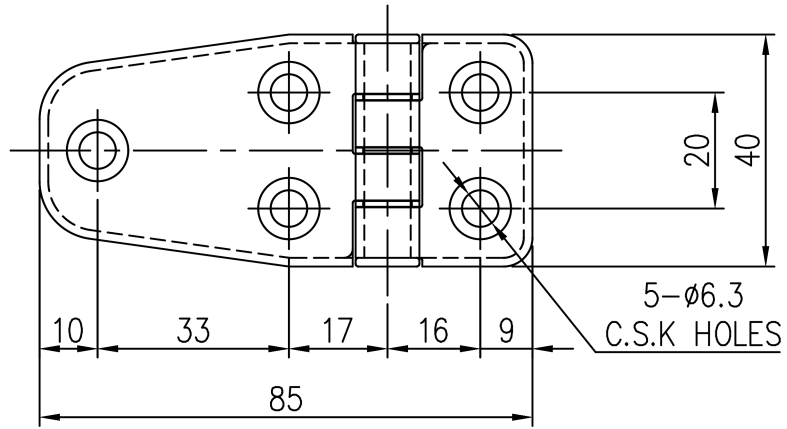


적용 도면 (Applied DRAW. No.)	
도면 번호 (DRAW. No.)	비 고 (Remarks)
1	
2	

MARK	DATE	DETAIL OF REVISION	CHECK	APP.
△				
△				



GENERAL TOLERANCE

DIVISION	GRADE	A LEVEL	B LEVEL	C LEVEL
1-4		$\pm 0.05$	$\pm 0.10$	$\pm 0.25$
4-6		$\pm 0.07$	$\pm 0.20$	$\pm 0.75$
16-63		$\pm 0.10$	$\pm 0.30$	$\pm 0.50$
63-250		$\pm 0.18$	$\pm 0.55$	$\pm 0.90$
250-500		$\pm 0.30$	$\pm 0.90$	$\pm 1.50$
500-1000		$\pm 0.50$	$\pm 1.50$	$\pm 2.50$

부 품 번 Part No.	번호 No.	명 칭 Part Name	갯수 Qt'y	재 질	비 고 Remarks
DRAWN	CHECKED	CHECKED	APPROVED	SCALE : 1 / 1	MODEL :
				UNIT : MM	TITLE :
<b>SAMO</b>				SIZE : A3	MODEL No.
				DATE :	DWG No.