

A

B

C

D

적용 도면 (Applied DRAW. No.)

도면 번호 (DRAW. No.)

비 고 (Remarks)

1		
2		

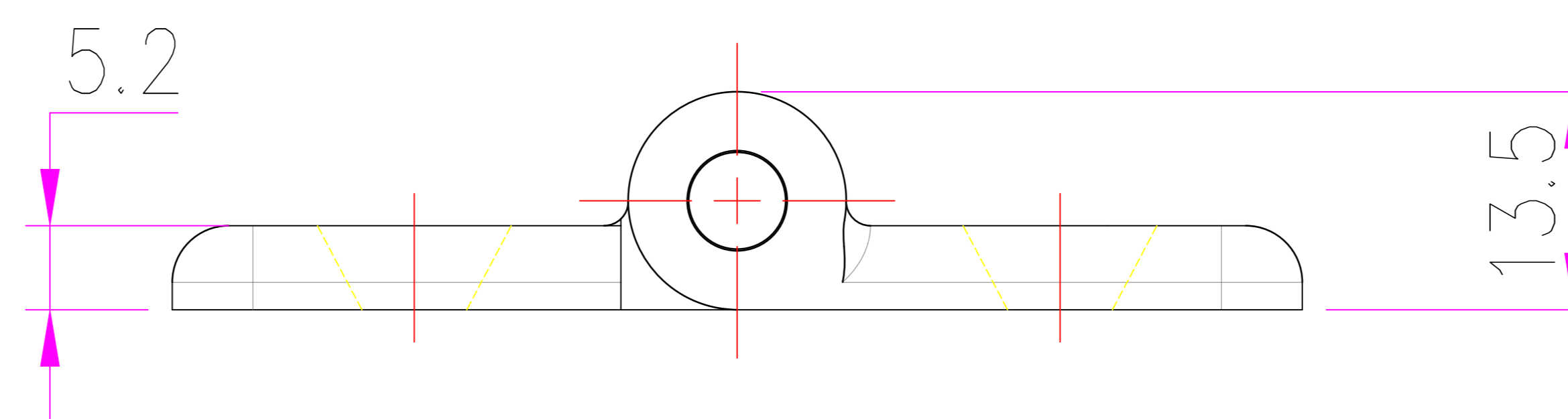
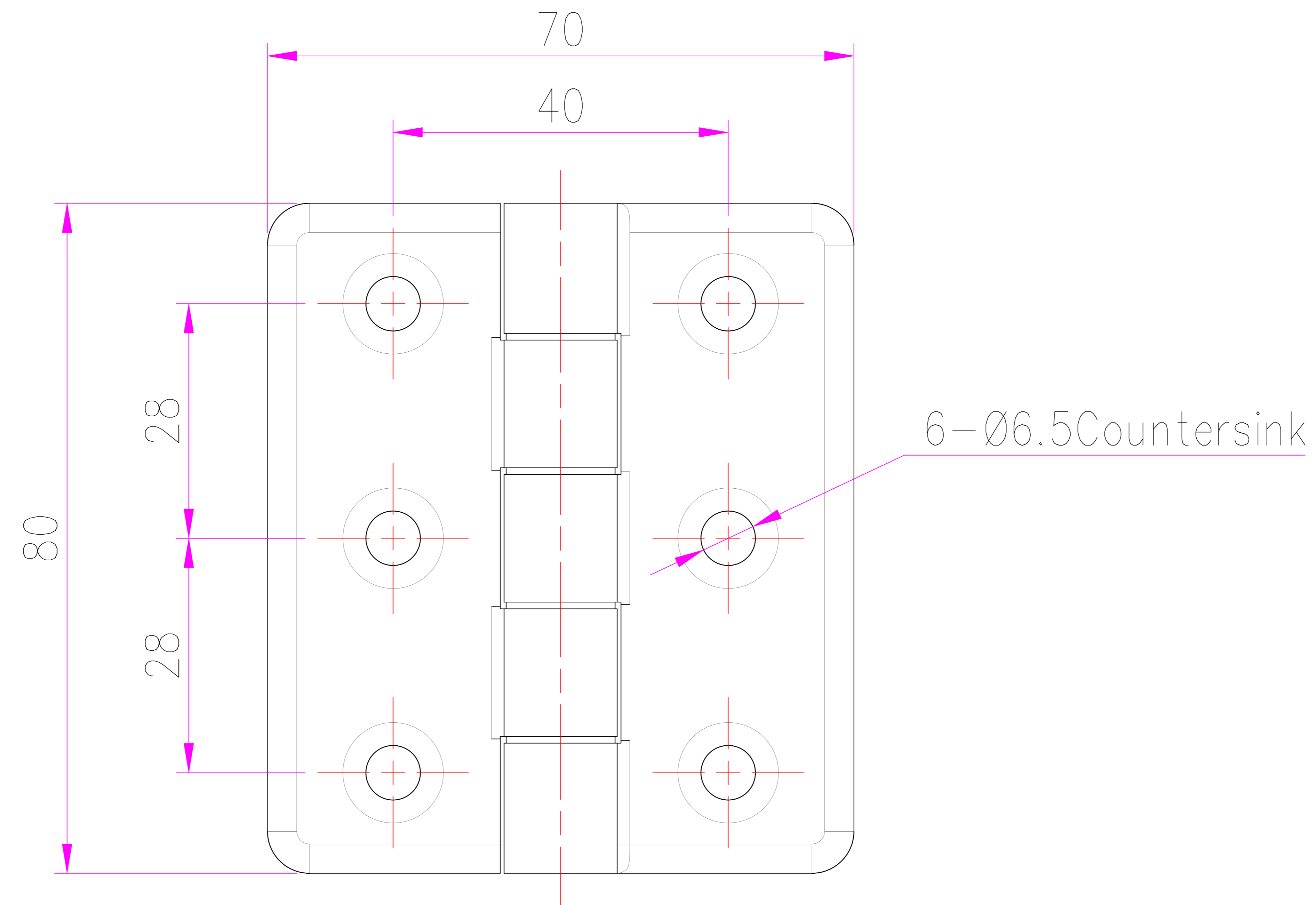
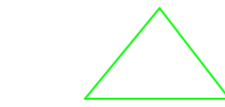
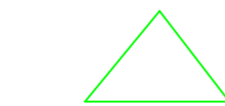
MARK

DATE

DETAIL OF REVISION

CHECK

APP.



GENERAL TOLERANCE

DIVISION	GRADE	A LEVEL	B LEVEL	C LEVEL
1-4		±0.05	±0.10	±0.25
4-6		±0.07	±0.20	±0.35
16-63		±0.10	±0.30	±0.50
63-250		±0.18	±0.55	±0.90
250-500		±0.30	±0.90	±1.50
500-1000		±0.50	±1.50	±2.50

부 품 번

번호

명 칭

갯수

재 질

비 고

Part No.

No.

Part Name

Qt'y

Remarks

DRAWN

CHECKED

CHECKED

APPROVED

SCALE : 1/1

MODEL :

UNIT :

MM

TITLE :

SIZE :

A3

MODEL No.

DATE :

DWG No.

SAMO

A

B

C

D