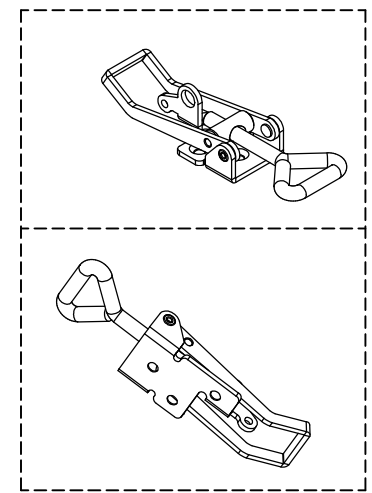
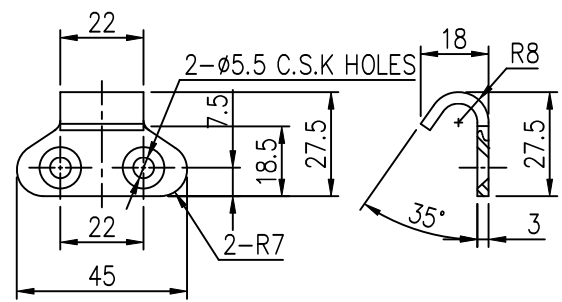
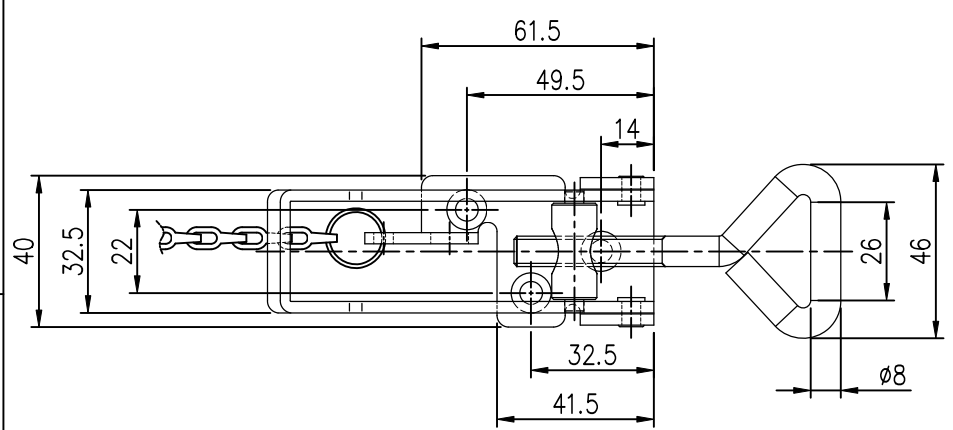


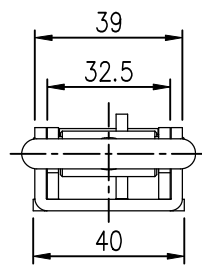
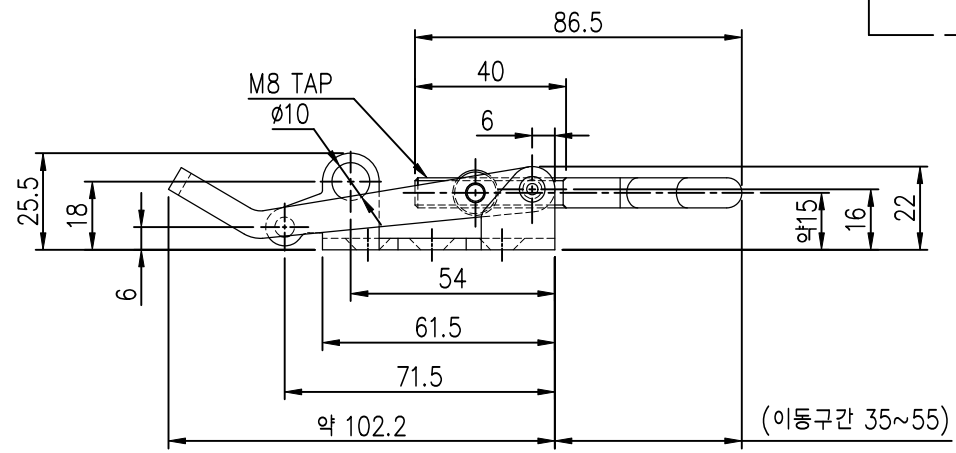
SM-NR23-1S

적용 도면 (Applied DRAW. No.)	
1	도면 번호 (DRAW. No.)
2	비고 (Remarks)

MARK	DATE	DETAIL OF REVISION	CHECK	APP.
△				
△				



ISOMETRIC VIEW



GENERAL TOLERANCE

DIVISION	GRADE	A LEVEL	B LEVEL	C LEVEL
1-4		±0.05	±0.10	±0.25
4-16		±0.07	±0.20	±0.75
16-63		±0.10	±0.30	±0.50
63-250		±0.18	±0.55	±0.80
250-500		±0.30	±0.90	±1.50
500-1000		±0.50	±1.50	±2.50

부품번호 (Part No.)	명칭 (Part Name)	갯수 (Qt'y)	재질 (Material)	비고 (Remarks)
DRAWN	CHECKED	CHECKED	APPROVED	SCALE: 1/1
				MODEL:
				TITLE:
				SIZE: A2
				DATE:
				MODEL No.
				DWG No.

